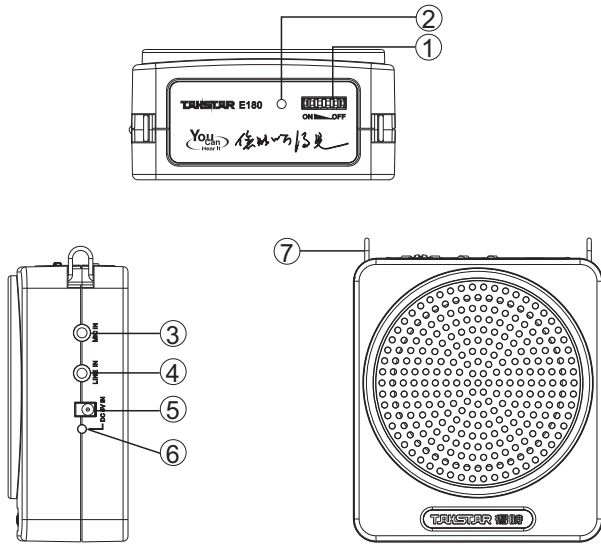


欢迎使用 TAKSTAR 便携式数字扩音器。本产品是专为教学、导游和参观等而设计的，采用数字技术，提供更长久的电池使用时间和输出功率，是教学、导游的理想选择。在使用之前，请仔细阅读说明书，以便能正确的操作，发挥本扩音器的理想性能。

产品特性

- 数字扩音技术，12W大功率音频输出
- 采用LOW-THD自适应技术，在大功率输出时也不会产生明显的声音失真
- 内置大容量耐久型锂离子电池，可循环充电使用，节能环保
- 内置MCU充电管理系统，具有电池保护功能，使电池处于安全可靠的模式下使用；充电只需4-6小时，使用时间可达20小时以上。
- 具有AUX音频信号输入功能，可充当小音箱使用
- 壳体采用ABS工程原料成型，坚固耐磨
- 产品外观设计时尚，具有肩挂及腰挂等多种佩戴方式，使用更方便

控制面板功能示意图



- ① 电源开关和音量调整旋钮：向左转动旋钮，听到“嘀”一声，表示扩音器已通电，此时电源指示灯②亮，继续向左转动旋钮声音越大，反之，声音越小直至关机。
- ② 电源指示灯：当扩音器通电时，此灯会亮。绿灯表示高电压，红灯表示低电压，当此灯亮红灯时，请及时为电池充电。
- ③ MIC IN 输入插孔：将 $\phi 3.5\text{mm}$ 的麦克风插头插入此孔，进入扩音工作状态；操作时，请不要将麦克风的拾音面朝向扩音器的扬声器，以免产生啸叫。
- ④ LINE IN 输入插孔：用 $\phi 3.5\text{mm}$ 插头的音频线将DVD、MP3等音乐信号导入本机可做有源音箱使用。
- ⑤ 充电输入插孔：将随机配送的5V/600-750mA电源充电器插头插入此孔，即可开始对电池充电。
- ⑥ 充电指示灯：将充电器插入⑤孔内时，指示灯亮，表示电池进入充电状态；指示灯由红色变为绿色后，表示电已充满。
- ⑦ 肩挂扣

技术参数

频率响应：80Hz-12kHz
 峰值输出功率：12W
 扬声器阻抗：4 Ω
 工作电压：3.7V
 电池规格：3.7V/2000mAh 锂离子电池
 充电器规格：DC 5V 600-750mA
 充电时间：4-6小时
 使用时间： ≥ 20 小时
 产品规格：86 \times 98 \times 46mm
 单机重量：350g

使用与注意事项

- 为了达到良好的效果，请对准头戴的咪芯（1-2cm）处发音。
- 将头戴麦克风正确的佩戴在头部，并调整好麦克风的拾音角度，以防方向不正引起啸叫
- 请根据实际使用空间适当调整音量大小，以获取理想使用效果。
- 长时间不使用时应将电池充满电，以确保电池的使用寿命。
- 请不要将外部音源信号（如DVD、MP3等）从MIC插孔输入，以免声音幅度过大而失真。
- 为了确保充电器的理想性能，请使用本机配送的DC 5V/600-750mA专用充电器充电。
- 非专业技术人员请不要擅自拆机改装或维修；如有问题或服务需求请联系当地经销商。

标准配置



适用场合

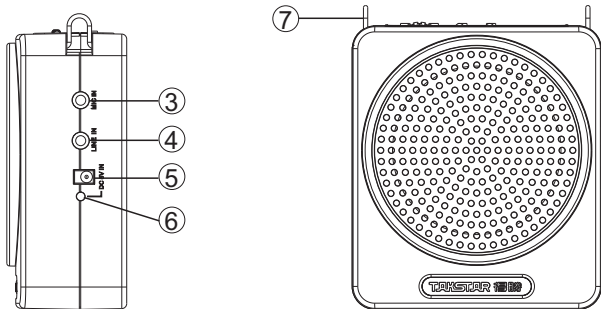
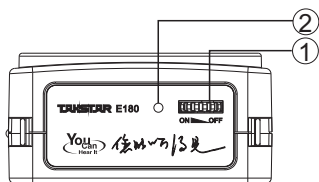
教学、导游、培训、促销、宣传、晨练、娱乐等场合扩音使用。

Welcome to use TAKSTAR portable digital voice amplifier. This product is ideal for teaching, tour guide etc. because of the excellent digital technology, long battery playtime and high output power. Please read this user manual detailedly before using to make sure the correct operation.

Features

- Digital circuitry technology, 12W output power
- LOW-THD AT Adaptive Technology features low distortion even at high output power
- Built-in high capacity rechargeable lithium-ion battery
- Built-in MCU intelligent recharging management system for secure battery charging and discharging, fast charging time (4-6hrs) and long play time (more than 20hrs)
- With AUX audio signal input function, as a small speaker
- Exquisite and durable design
- Choices of waist or shoulder hanging wear style for convenient use

Function Illustration



- ① Power switch with volume control: Turn the wheel ① to the left until you hear a clicking sound "Di", the amplifier is now switched on and the power LED ② will light, turn left for louder voice, turn right for lower voice until power off.
- ② Power indicator: It will light green when the amplifier is power-on. If the battery is low, it will turn red, please recharge the battery in time.
- ③ Microphone input socket: insert the microphone $\Phi 3.5\text{mm}$ plug into this socket; do not point the microphone directly to amplifier, or it will cause howling.
- ④ Line input socket: Plug signal such as DVD, MP3 into the LINE IN socket with a $\Phi 3.5\text{mm}$ audio cable, the amplifier will be used as a speaker.
- ⑤ DC 5V/600-750mA power adaptor socket.

⑥ Recharging Indicator: Plug in the power adaptor into socket ⑤, the indicator will light, indicating that the rechargeable battery is under charging. The indicator will change from red to green when the battery is fully charged.

⑦ Hanging buckle

Specification

Frequency Response: 80Hz-12kHz
 Output Power: 12W
 Output Impedance: 4 Ω
 Operating Voltage: 3.7V
 Battery specification: 3.7V/2000mAh lithium-ion battery
 Power Adaptor: DC 5V/600-750mA
 Recharging Period: 4-6hrs
 Playtime: $\geq 20\text{hrs}$
 Dimension: 86 \times 98 \times 46mm
 Net Weight: 350g

Operation & Caution

1. Aim at the headworn mic capsule when speaking and keep the distance between vocal and mic as 1-2cm to avoid howling.
2. Put the battery into the battery compartment according to the polar.
3. Wear the headworn microphone correctly and adjust the suitable microphone pick-up angle.
4. Adjust the volume according to the actual space size.
5. When long time no use, fully recharge the battery to assure the battery life time, and then take out the battery.
6. Don't insert external audio signal such as DVD or MP3 into the MIC socket to avoid distortion due to extreme high voice.
7. Use the DC 5V/600-750mA power adapter provided with the voice amplifier to make sure the best performance.
8. Non professional technician is prohibited to open/modify/repair the voice amplifier

Standard Configuration



Application

Teaching, tour guiding, outdoor activity, selling, morning exercise, entertainment, presentation.