

尊敬的用户：

感谢您选购得胜DA6演讲咪，为了您能够更好的了解使用本产品，建议您在使用前仔细阅读本说明书。

若存在有疑问或者您有宝贵的建议，可通过拨打得胜官方服务热线400 6828 333或微信扫描二维码关注得胜官方公众号与我们联系。



■ 产品特性

- 集麦克风、功放、扬声器于一体的演讲咪，适用于演讲、促销、导游、K歌娱乐等场合；
- 采用稀土扬声器，重量轻、音质好、声音大、峰值功率6W；
- 演讲模式、K歌模式，一键切换，操作更简便；
- 具有音量调节功能，可根据使用的场合情况调整扩音音量；
- 内置DSP啸叫抑制芯片，有效抑制啸叫声；
- 超长待机，节能省电，停止使用15分钟后自动关机；
- 内置大容量锂电池，节能环保，使用时间约10小时；
- 小巧轻便，握感舒适，适合长时间手持扩音及K歌娱乐。

■ 包装清单

DA6演讲咪	1个
Type-C充电线	1条
说明书	1份

■ 适用范围

适用于教学、导游、培训、促销、K歌娱乐等场合

■ 技术参数

主机参数

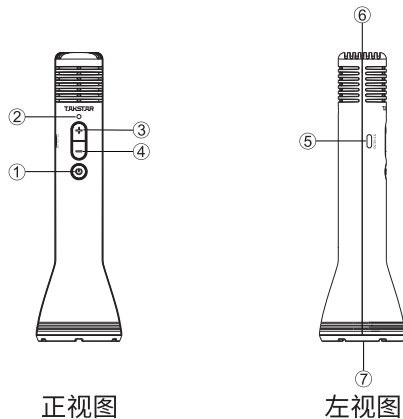
- 频率响应：100Hz-15KHz
- 峰值功率：6W
- 扬声器阻抗：4Ω
- 总谐波失真：THD≤5% 1KHz@4R,4W
- 工作电压：3.4V-4.2V
- 电池类型：锂离子电池
- 电池容量：3.7V/2000mAh
- 充电方式：DC 5V=1A
- 充电时间：约2小时
- 使用时间：约10小时（演讲模式）
- 产品重量：约178g
- 产品尺寸：Φ61mm*206mm（直径*高）

主机参数

- 拾音器：背极式驻极体
- 指向性：单指向
- 频率响应：150Hz-16KHz
- 灵敏度：-47±3dB(0dB=1V/Pa, at 1KHz)

注：以上数据由得胜实验室测试得到，并拥有最终解释权！

■ 功能示意



正视图

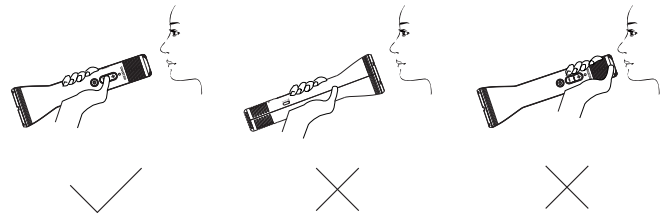
左视图

- ① 电源键：长按电源键2秒，开启或关闭演讲咪；开机状态下，循环点按电源键可切换演讲模式和K歌模式；若15分钟后不使用，将自动关机；
- ② 指示灯：电量充足时，电源指示灯常亮绿灯；电量少于1小时，电源指示灯常亮红灯；充电状态时，电源指示灯闪烁红灯；充满电状态时，电源指示灯常亮绿灯；
- ③ “+” 按键：点按增加扩音音量，共3档音量可调节（开机默认为最大音量）；
- ④ “-” 按键：点按减小扩音音量，减到最小时约为总音量的60%，静音功能；

- ⑤ 充电接口：连接Type-C充电线，请使用规格为5V=1A且经过3C认证的充电头为演讲咪充电；
- ⑥ 拾音器：喊话时嘴要尽量靠近拾音器，一般使用距离保持3-5厘米为宜。不能用手捂住拾音部分，否则容易产生啸叫；
- ⑦ 演讲咪喇叭：喊话时不要靠近人耳，以免造成听力受损。请尽量保持喇叭清洁。提示：初次使用时，建议先充满电；当电池充满时，请停止对电池充电，避免电池过充；如长时间不用，需每半年充电一次，避免电池过放，对电池性能产生影响。

■ 使用说明

持握示意图如下：



■ 无线配对方法：

首次使用本机时，需要与手机或无线播放设备配对连接，步骤如下：

1. 在开机状态下，点按电源按键，切换到K歌模式时，表示正在无线播放搜索配对状态；
2. 进入手机的“设置”菜单，找到无线功能选项，开启手机的无线播放功能，待搜索到“TAKSTAR DA6”，点击“TAKSTAR DA6”进行连接，当演讲咪可以进行无线播放，表示无线播放连接成功；
3. 下次切换到无线播放模式时，如果是已进行过无线连接，则自动回连；在无线连接成功的情况下，切换到演讲模式时则自动断开无线连接。

■ 安全警示

为避免电击、高温、着火、辐射、爆炸、机械危险以及使用不当等可能造成的人身伤害或财产损失，使用本产品前，请仔细阅读并遵守以下事项：

1. 请勿将喇叭靠近人耳，以免造成听力损伤；
2. 使用中若发现有异常（如冒烟、异味等），请立即关闭电源开关并拔掉电源插头，然后将产品送经销商检修；
3. 本产品及配件都应放置在室内干燥通风处，请勿长期存放在潮湿、灰尘多的环境，使用中避免靠近火源、雨淋、进水、过度碰撞、抛掷、振动本机及覆盖通风孔，以免损坏其功能；
4. 使用该产品时需遵守相关安全规定，法律法规明确禁止使用场合请勿使用本机，以免导致意外事故；
5. 请不要自行拆机改装或维修，以防止出现人身伤害，如有问题或服务请联系当地经销商跟进处理。
6. 本产品不带电源适配器销售，消费者若使用电源适配器供电，则应购买配套使用获得CCC认证并满足标准要求电源适配器；

产品中有毒有害物质或元素的名称及含量标识表

部件名称	有毒有害物质或元素					
	铅 (Pb)	汞 (Hg)	镉 (Cd)	六价铬 (Cr(VI))	多溴联苯 (PBB)	多溴二苯醚 (PBDE)
塑料部件	○	○	○	○	○	○
金属部件	×	○	○	○	○	○
电路板组件	×	○	○	○	○	○
线缆	×	○	○	○	○	○

本表格依据SJ/T 11364的规定编制。

○：表示该有害物质在该部件所有均质材料中的含量均在GB/T 26572规定的限量要求以下。

×：表示该有害物质至少在该部件的某一均质材料中的含量超出GB/T 26572规定的限量要求。

此标志为产品的环保使用期限标志，

且此环保使用期限只适用于产品正常工作的温度和湿度等条件。



※本产品相关规格如有变更恕不另行通知。

GB 8898-2011 9T00DA6S1A



Dear Customer,

Thank you for purchasing TAKSTAR DA6 Speech Microphone. Please read the user manual carefully before use and keep it for reference in future.

If you have any questions or suggestions, please contact our local dealer.

■ Features

- Combining microphone, power amplifier and speaker together, suitable for speech, promotion, Karaoke, etc.
- Rear earth material speaker, light weight, excellent sound, high volume, peak power 6W
- Pressing one button to switch between Speech Mode and Karaoke Mode, which is more convenient for operation
- Volume control function to adjust the volume based on the venue
- Built-in DSP chip with the feedback rejecting function to reject feedback effectively
- Ultra-long standby, turning off automatically after no signal input for 15 minutes to save the power consumption
- High-capacity Lithium battery for energy saving and environmental protection, approx. 10h operation time
- Compact design, comfortable to hold, suitable for sound reinforcement and Karaoke for a long time

■ Product content

DA6 speech microphone.....	1pc
Type-C charging cable.....	1pc
User manual.....	1pc

■ Applications

Teaching, tour guide, training, promotion, Karaoke

■ Specifications

Speech Microphone

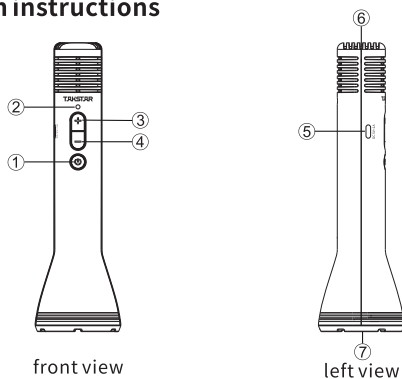
- Frequency Response: 100Hz-15KHz
- Peak Power: 6W
- Speaker Impedance: 4Ω
- THD: THD≤5% 1KHz@4R, 4W
- Operating Voltage: 3.4V-4.2V
- Battery Type: Li-ion battery
- Battery Capacity: 3.7V/2000mAh
- Charging: DC 5V=1A
- Charging Time: approx. 2h
- Operation Time: approx. 10h (speech mode)
- Weight: approx. 178g
- Dimensions: Φ61mm*206mm (Dia*H)

Cartridge

- Cartridge: back electret
- Polar Pattern: unidirectional
- Frequency Response: 150Hz-16KHz
- Sensitivity: -47±3dB (0dB=1V/Pa, at 1KHz)

Note: The data is tested by Takstar Laboratory, and Takstar has the final interpretation right!

■ Function instructions



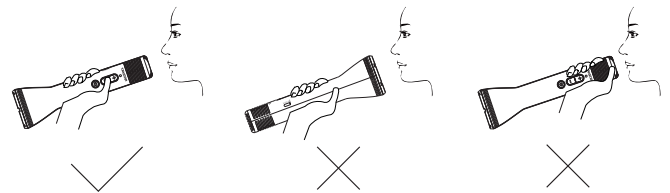
- ① Power button: Long press the button for 2 seconds to turn on or off the speech microphone. When it is power-on, press the power button successively to switch between Speech Mode and Karaoke Mode. If the speech microphone is not used for 15 minutes, it will automatically power off.
- ② Power LED: It remains green when there is enough battery power and lights up red when the battery can be used for less than 1 hour. The LED flashes red when the speech microphone is being charged and lights up green when the speech microphone is fully charged.
- ③ "+" button: Press it to increase the volume of the speech microphone. A total of 3 levels of volume are available (The default is the maximum volume when the speech microphone is turned on).
- ④ "-" button: Press it to decrease the volume of the speech microphone. It can only be minimized to about 60% of the total volume. There is no mute function.
- ⑤ Charging interface: Connect to the Type-C charging cable. Please use a charging head with a specification of 5V=1A and 3C certification to charge the speech microphone.

- ⑥ Cartridge: When speaking to the speech microphone, make sure that your mouth maintains a distance of 3-5 cm with the cartridge. Do not cover the cartridge with your hand; otherwise, it will produce acoustic feedback.
- ⑦ Speaker: Do not put the speaker too close to people's ears to avoid hearing damaging. Keep the speaker clean.

Note: When using the speech microphone for the first time, please fully charge it before use. When the speech microphone is fully charged, please stop charging it to avoid overcharging the battery. If the speech microphone is not used for a long time, please charge it once every six months to avoid over-discharge of the battery, otherwise it will affect the battery performance.

■ Operation instructions

Holding diagram as below:



Wireless pairing method:

When the speech microphone is used for the first time, it needs to be paired with a mobile phone or a wireless playback device. The steps are as follows:

1. When you press the power button to switch to Karaoke Mode at the power-on state, the speech microphone enters the searching and pairing state of wireless playback.
2. Enter the "Settings" menu on the mobile phone, find the option of wireless function, and turn on the wireless playback function of the mobile phone. After searching for "TAKSTAR DA6", click "TAKSTAR DA6" for connection. When the speech microphone can be played wirelessly, it means the connection is successful.
3. When you switch the speech microphone to the wireless playback mode, it will automatically reconnect to the wireless playback device if it has been connected to the device before. When successfully connected, the speech microphone will be disconnected from the wireless playback device when switched to Speech Mode.

■ Safety instructions

To avoid possible personal injury or property damage caused by electric shock, high temperature, fire, radiation, explosion, mechanical hazards, and improper use, please read and observe the following items before using the product.

1. Please do not put the speaker close to people's ears to avoid hearing damage.
2. If there is any abnormality (such as smoke, odor, etc.) during use, please turn off the power switch and unplug the power plug immediately, and then send the product to the dealer for maintenance.
3. The product and accessories should be placed indoors in a dry and ventilated place. Do not store them in a humid and dusty environment for a long time. Avoid getting close to fire, rain, water, excessive collision, throwing, vibrating the machine and covering the ventilation holes during use, so as not to damage its function.
4. When using the product, you must abide by the relevant safety regulations. Please do not use the product in the occasions that are clearly prohibited by laws and regulations to avoid accidents.
5. Please do not disassemble, refit or repair the product by yourself to prevent personal injury. If you have any questions or service needs, please contact your local dealer.
6. The product is sold without a power adapter. If you use a power adapter to supply power, you should purchase and use a power adapter that has obtained CCC certification and meets the standard requirements.

注意事项:

1. 本单为保修凭证, 请用户妥善保管, 如有遗失, 恕不保修或退换。
2. 保修期限: 购买之日起十二个月内。
3. 除了不可抗力事件损坏外, 由本公司负责, 免费维修。
4. 如属保管不善或使用不当造成的损坏, 维修点将酌情收费。
5. 擅自拆卸维修者, 不予保修。
6. 以上保修条款仅限于中国市场适用 (不包含港澳台地区)。

产品服务保证书

姓名: _____ 电话: _____ 地址: _____
商品: _____ 型号: _____ 购买日期: _____ 年 _____ 月 _____ 日

维修记录栏(由维修员填写)	维修员签名	日期

◆广东得胜电子有限公司 ◆电话: 400-6828-333 ◆地址: 广东省惠州市博罗县龙溪街道富康一路2号

※The product specification is subject to change without prior notice.