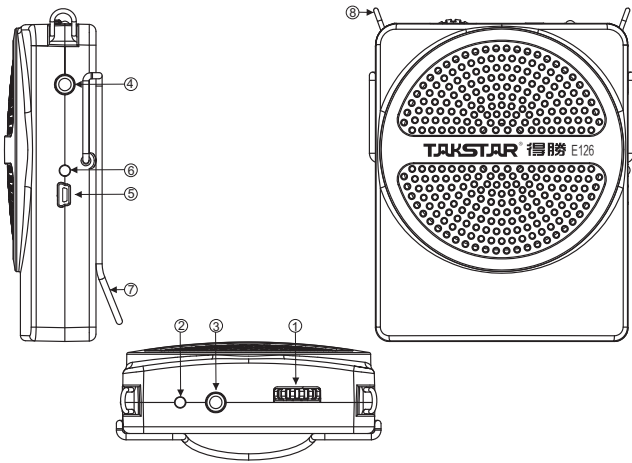


欢迎使用 TAKSTAR® 便携式扩音器。本产品是专为教学、导游和宣传等场合而设计的，采用数字扩音技术，提供更长久的电池使用时间和大输出功率，是教学、导游的理想选择。在使用之前，请仔细阅读说明书，以便能正确的操作，发挥本扩音器的理想性能。

## 产品特性

- 一款体积小巧轻便的MINI型扩音器
- 采用稀土材料扬声器，重量轻、音质好、声音大
- 数字扩音技术，8W大功率音频输出
- 内置大容量聚合物锂电池，可循环充电使用，节能环保
- 内置MCU充电管理系统，具有电池保护功能，使电池处于安全可靠的模式下使用；充电只需4-6小时，使用时间可达15小时以上
- 具有AUX音频信号输入功能，可充当小音箱使用
- 机壳采用ABS工程原料成型，坚固可靠
- 产品外观设计时尚，具有肩挂及腰挂等多种佩戴方式，使用更方便

## 控制面板功能示意图



- ① 电源开关和音量调整旋钮: 向左转动旋钮, 听到“滴”一声, 表示扩音器已通电, 此时电源指示灯②亮, 继续向左转动旋钮声音越大, 反之, 声音越小直至关机。
- ② 电源指示灯: 当扩音器通电时, 此灯会亮。绿灯表示高电压, 红灯表示低电压, 当此灯亮红灯时, 请及时为电池充电。
- ③ MIC IN 输入插孔: 将 $\phi 3.5\text{mm}$ 的麦克风插头插入此孔, 进入扩音工作状态; 操作时, 请不要将麦克风的拾音面朝向扩音器的扬声器, 以免产生啸叫。
- ④ LINE IN 输入插孔: 用 $\phi 3.5\text{mm}$ 音频线将DVD、MP3等音乐信号导入本机可作为有源音箱使用。
- ⑤ 充电输入插孔: 将随机配送的DC 5V/600mA电源充电器插头插入此孔, 即可开始对电池充电。
- ⑥ 充电指示灯: 将充电器插入⑤孔内时, 指示灯亮, 表示电池进入充电状态; 指示灯由红色变为绿色后, 表示电已充满。
- ⑦ 腰挂扣
- ⑧ 挂绳扣

## 使用说明

- 将头戴麦克风正确的佩戴在头部, 并调整好麦克风的拾音角度。
- 将 $\phi 3.5\text{mm}$ 的麦克风插头插入麦克风输入孔内。
- 打开电源, 电源指示灯亮, 调整音量按键到合适的音量大小。

- 在使用过程中, 若电量指示灯亮红灯时, 表示电池低电量, 请及时充电。

## 技术参数

频率响应: 90Hz-12kHz  
 额定输出功率: 4W  
 峰值输出功率: 8W  
 扬声器阻抗: 4 $\Omega$   
 电池规格: 3.7V/1000mAh锂离子电池  
 充电器规格: DC 5V/600mA  
 充电时间: 4-6小时  
 使用时间:  $\geq 15$ 小时  
 产品规格: 92 $\times$ 72 $\times$ 27mm  
 主机重量: 140g

## 注意事项

- 长时间不使用时应将电池充满电, 以确保电池的使用寿命。
- 当低电量时应及时充电。
- 请不要将外部音源信号(如DVD、MP3等)从MIC插孔输入, 以免声音幅度过大而失真。
- 为了达到良好效果, 请对准头戴的咪芯(1-2cm)处发音, 以防方向不正引起啸叫。
- 扩音器应放置在室内干燥通风处, 避免雨淋、进水、重摔。
- 非专业技术人员请不要擅自拆机改装或维修; 如有问题或服务需求请联系当地经销商。

## 包装清单



Welcome to use TAKSTAR portable digital voice amplifier. This product is ideal for teaching, tour guide etc. because of the excellent digital technology, long battery playtime and high output power. Please read this user manual detailedly before using to make sure the correct operation.

## Features

- Digital audio circuitry technology, 10W output power
- Remote switch control on the mini handheld microphone for turning on/off the amplifier help reduce the power consumption
- Low distortion and effective feedback rejection
- Intelligent power management system for stable performance and long playtime
- Powered by 1 pc high capacity rechargeable lithium ion battery
- Mini handheld microphone and portable bag for options

## Specification

Frequency Response: 80Hz–12kHz

Output Power: 10W

Output Impedance: 4Ω

Operating Voltage: 3.7V

Battery Specification: 3.7V/2200mAh lithium-ion battery

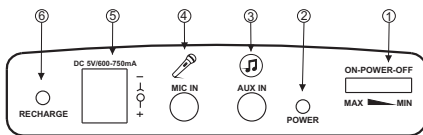
Power Adapter Specification: DC 5V/600–750mA

Recharging Time: 5hrs

Playtime: 15hrs

Weight: 280g

## Function Illustration




- ①. Power switch and volume adjusting knob: turn the knob to left, you will hear the sound "Di", it means it is on, the power indicator ② will light, turn left for loud voice, turn right for low voice until power off.
- ②. Power indicator: when the voice amplifier is on, the indicator lights. Green is normal, red is in low power condition, please recharge for the battery in time when it is red.
- ③. Audio input socket
- ④. Microphone input socket: insert the microphone  $\varnothing 3.5\text{mm}$  pulg into this socket. When speaking, avoid point the capsule to the speaker to avoid howling.
- ⑤. Power adapter input socket: input the plug of DC 5V/600–750mA power adapter into this socket for battery recharging.
- ⑥. Recharge indicator: when the power adapter plug is inserted in the power adapter input socket⑤, the indicator lights, it means it is being recharged; when it turns into green, it means the battery is full recharged.

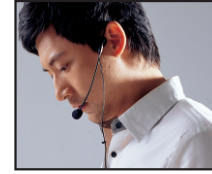
## Operation & Caution

1. Put the battery into the battery compartment according to the polar.

## Standard Configuration

								
Digital Amplifier	Headworn Microphone	Power Adapter	Lithium-ion Battery	Rope	Audio Cable	User Manual	Mini Handheld Mic (optional purchase part)	Bag (optional purchase part)

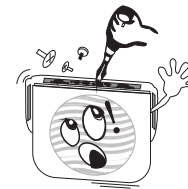
2. Wear the headworn microphone correctly and adjust the suitable microphone pick-up angle.
3. Adjust the volume according to the actual space size.
4. When long time no use, fully recharge the battery to assure the battery life time, and then take out the battery.
5. Don't insert external audio signal such as DVD or MP3 into the MIC socket to avoid distortion due to extreme high voice.



6. Aim at the headworn mic capsule when speaking and keep the distance between vocal and mic as 1-2cm to avoid howling.



7. Keep the amplifier in a dry, ventilative place, avoid drench, sling.



8. Non-special technician is not allowed to disassemble or repair the product, please contact the local agent if there is any question or service requirement.

## Caution For Battery

1. E210 voice amplifier is powered by lithium-ion battery, the battery life time has limit, please change the battery when the playtime is obviously shorten.
2. Extreme high or low temperature will influence the battery recharge effect, please keep the environment temperature as 0-45°C for battery recharging.
3. Don't use the battery of this amplifier for other usage or throw it into fire or water.
4. Battery belongs to consumption part, it is not within the after-service range, please use the battery supplied by manufacturer when you want to change the battery.
5. Avoid making the battery short (don't put the battery with the metal part such as necklace, key, barrette, lead wire etc.), don't use other power adapter or damaged battery.
6. Please dispose the abandoned battery correctly, do not throw it into the trash can directly.
7. Keep the battery out of reach of Children.
8. Do not thump or sling the battery.