

TAKSTAR® 得胜



E126S **领夹版**
LAVALIER

无线扩音器

Wireless Voice Amplifier

使用手册 | User Manual

E126S (领夹版) 无线扩音器

■ 前言

尊敬的用户：

感谢您选购得胜E126S (领夹版) 无线扩音器，为了您能够更好地了解使用本产品，建议您在使用前仔细阅读本说明书。

若存在有疑问或者您有宝贵的建议，可通过拨打得胜官方服务热线400 6828 333或微信扫描二维码关注得胜官方公众号与我们联系。



■ 产品特性

- 一款体积小巧轻便的MINI型无线扩音器；
- 采用2.4G无线技术，抗干扰传输稳定，使用距离远；
- 配备新款无线领夹麦克风，轻盈随行，即开即用免调频；
- 选用稀土材质扬声器，重量轻、音质好、声音大；
- 数字扩音技术，8W峰值功率音频输出；
- 内置大容量锂电池，节能环保，使用时间约10小时；
- 具有无线播放功能，不受线材束缚，播歌更方便；
- 配备指示灯显示设计，实时了解扩音器工作状态；
- 具有肩挂及腰挂等多种佩戴方式，使用更方便；
- 产品依照人体工学原理设计，造型新颖，外观时尚。

■ 适用范围

适用于教学、培训、导游、促销等场合

E126S (领夹版) 无线扩音器

■ 标准配置

- 扩音器 1台
- 无线领夹麦克风 1个
- Type-C充电线 1条
- 肩带 1条
- 背扣 1个
- 说明书 1份
- 有线头戴麦克风 1个
- 挂绳 1根

■ 技术参数

主机 (扩音器) 参数

- 频率响应: 150Hz-12kHz
- 峰值功率: 8W
- 扬声器阻抗: 4Ω
- 总谐波失真: $\text{THD} \leq 1\%$ 1kHz@4R, 4W
- 工作电压: 3.45V-4.2V
- 电池类型: 锂离子电池
- 电池容量: 3.7V/2000mAh
- 充电方式: 5V=800mA
- 充电时间: 约2.5小时
- 使用时间: 约10小时
- 产品重量: 约148g
- 产品尺寸: 92mm*72.5mm*25mm

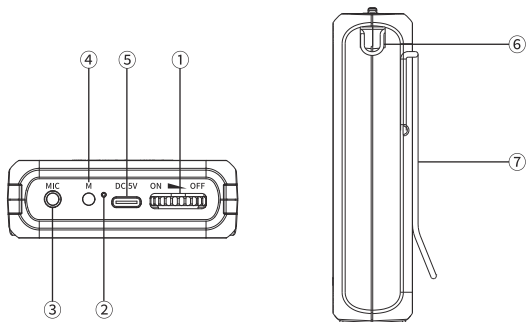
领夹麦克风参数

- 拾音器: 背极式驻极体
- 指向性: 单指向
- 频率响应: 60Hz-16kHz
- 灵敏度: $-50 \pm 3\text{dB}$
- 使用距离: 无干扰环境约20米 (室内)
- 电池类型: 锂离子电池
- 电池容量: 3.7V/240mAh
- 充电规格: 5V=150mA
- 充电时间: 约2小时
- 使用时间: 约10小时
- 净重: 约30g

注: 以上数据由得胜实验室测试得到,并拥有最终解释权!

■ 功能示意

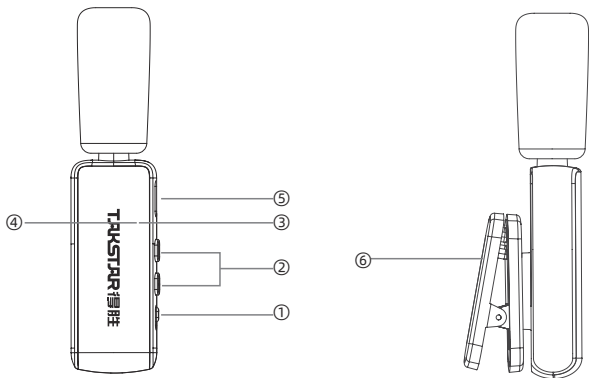
扩音器



- ① 电源开关和音量调整旋钮：向“ON”方向拨动旋钮，听到“滴”一声，表示扩音器已通电，此时电源指示灯②亮蓝灯，继续向“ON”方向拨动旋钮则声音增大，反之向“OFF”方向拨动旋钮则声音减小直至听到“滴”的一声关机。
- ② 电源指示灯：充电时，指示灯长亮红灯；红灯熄灭，蓝灯长亮表示电已充满；扩音过程中红蓝灯闪烁表示低电压，当此红蓝灯闪烁时，请及时为扩音器充电。
- ③ MIC输入插孔：将 $\phi 3.5\text{mm}$ 的麦克风插头插入此孔，进入扩音工作状态；操作时，请不要将麦克风的拾音面朝向扩音器的扬声器，以免产生啸叫。
- ④ “M”模式切换键：开机状态下，循环点按“M”键，可切换麦克风模式和无线播放模式，并有相应的语音提示；在播放音乐时，双击“M”键，切换下一曲；三击“M”键，切换上一曲；长按“M”键两秒，控制音乐播放/暂停。
- ⑤ 充电接口：通过Type-C充电线为扩音器充电。
- ⑥ 挂扣：用于安装肩带，可将扩音器斜挂于肩上使用。
- ⑦ 背扣：用于将扩音器扣于腰带或裤腰上使用。

E126S (领夹版) 无线扩音器

领夹麦克风



- ① 电源开关：拨动开关至“ON”位置时开机，拨动开关至“OFF”位置时关机。
- ② 音量调节键：短按“+”键一次增加麦克风音量一个等级，长按音量“+”键为连续增加麦克风音量；短按“-”键一次减少麦克风音量一个等级，长按音量“-”键为连续减少麦克风音量，共9级音量大小调节。
- ③ 工作指示灯：配对时，蓝灯闪烁；配对成功后，蓝灯常亮；电量不足时，指示灯红灯闪烁。
- ④ 充电指示灯：充电过程中，红灯常亮；充满电后，红灯熄灭。
- ⑤ 充电接口：将Type-C充电线插入此孔，另一端连接通用的USB输出充电器，即可进行充电。
- ⑥ 夹子：用于将领夹麦克风稳固夹持于衣领处合适位置使用。

■ 使用说明

一、使用方法

打开扩音器及领夹麦克风电源开关，将自动配对连接，当领夹麦克风指示灯从闪烁变为常亮状态，且对着麦克风说话时扩音器有声音输出，表示已配对成功。如遇信号干扰，可按下面方法重新配对：

1. 配对方法

- ① 同时长按领夹麦克风音量“+”“-”键2秒进入配对搜索状态，领夹麦克风指示灯蓝灯快闪，此时打开扩音器电源开关进行配对。待指示灯从快闪状态变为常亮且对着麦克风说话，扩音器有声音输出，表示配对成功。
- ② 如对着麦克风说话扩音器没声音，表示配对不成功，请按上面方法重新配对。

二、无线播放配对

首次使用本机时，需要与手机或其他播放设备配对连接，步骤如下：

1. 先打开扩音器电源开关，点按“M”键切换成无线播放模式，此时指示灯蓝灯快速闪烁，表示扩音器正在搜索配对状态。
2. 进入手机的“设置”菜单，开启手机的无线播放功能，待搜索到“TAKSTAR E126S”并点击进行连接，当指示灯由快闪变成慢闪状态，同时伴有语音提示，表示无线播放已连接成功，手机、笔记本、平板、IPAD等设备无线连接产品成功后，可实现播放音乐功能。
3. 下次开机后点按“M”键切换至无线播放模式时，将自动回连最后一次使用的播放设备，并伴有语音提示。
4. 按住M键并同时打开扩音器5秒后松开M键，清除扩音器已连接配对过的设备无线连接地址码，此时可搜索配对别的播放设备。

■ 安全警示

为避免电击、高温、着火、辐射、爆炸、机械危险以及使用不当等可能造成的人身伤害或财产损失，使用本产品前，请仔细阅读并遵守以下事项：

1. 使用产品时请确认所连设备与本产品是否匹配以及合理调整音量大小，不要在超过产品功率及大音量下长时间使用，以免造成产品异常；
2. 使用中若发现有异常（如冒烟、异味等），请立即关闭电源开关并拔掉电源插头，然后将产品送售后服务网点检修；
3. 消费者若使用电源适配器供电，则应购买配套使用获得CCC认证并满足标准要求电源适配器；
4. 本产品及配件都应放置在室内干燥通风处，请勿长期存放在潮湿、灰尘多的环境，使用中避免靠近火源、雨淋、进水、过度碰撞、抛掷、振动本机及覆盖通风孔，以免损坏其功能；
5. 若产品需要固定于墙壁或天花板时，请确保固定到位，防止因固定强度不足导致产品发生跌落危险；
6. 使用该产品时需遵守相关安全规定，法律法规明确禁止使用场合请勿使用本产品，以免导致意外事故；
7. 请不要自行拆机改装或维修，以防止出现人身伤害，如有问题或服务需求请联系当地售后服务网点跟进处理。

■ 关于图标含义解释



此符号表示，根据WEEE指令(2012/19/EU)和国家法律，由于这种类型的废弃物会有潜在的有害物质，可能对环境 and 人类健康产生负面影响，所以本产品不应与您的家庭垃圾一起处置，应将本产品交由授权的电气和电子设备（WEEE）回收站回收。同时，您在正确处理本产品的同时将有助于自然资源的有效利用。如需了解更多有关您可以在何处放置废物回收设备的信息，请联系您当地的城市办事处、废物管理局或家庭废物处理服务部门。

E126S (领夹版) 无线扩音器

■ 环保说明

产品中有毒有害物质或元素的名称及含量标识表

部件名称	有毒有害物质或元素									
	铅 (Pb)	汞 (Hg)	镉 (Cd)	六价铬 (Cr(VI))	多溴联苯 (PBB)	多溴二苯醚 (PBDE)	邻苯二甲酸 二正丁酯 (DBP)	邻苯二甲酸 二异丁酯 (DIBP)	邻苯二甲酸 丁基酯 (BBP)	邻苯二甲酸 二(2-乙基)己酯 (DEHP)
塑料部件	○	○	○	○	○	○	○	○	○	○
金属部件	×	○	○	○	○	○	○	○	○	○
电路板组件	×	○	○	○	○	○	○	○	○	○
线缆	×	○	○	○	○	○	○	○	○	○

本表格依据SJ/T 11364的规定编制。
○: 表示该有害物质在该部件所有均质材料中的含量均在 GB/T 26572 规定的限量要求以下。
×: 表示该有害物质至少在该部件的某一均质材料中的含量超出 GB/T 26572 规定的限量要求。

此标志为产品的环保使用期限标志，
且此环保使用期限只适用于产品正常工作的温度和湿度等条件。



■ 关于本说明书

本说明书中内容符合截止印刷之日的技术规格。由于得胜公司会不断改进产品，本说明书可能不符合您的特定产品的技术规格。要获取最新版说明书，请访问得胜官网，然后下载说明书文件。技术规格、设备或另售的附件在各个地区可能有所不同，如有问题请与当地得胜销售网点确认。如需更多支持和深层产品信息，请浏览得胜官方网站：<https://www.takstar.com>

版权所有 ©2025 得胜。得胜、TAKSTAR及其各自标志是得胜公司在中国和/或其他国家/地区的注册商标或商标。所有其它商标均是各自所有者的财产。

产品服务保证书

姓名：_____ 电话：_____ 地址：_____

商品：_____ 型号：_____ 购买日期：_____ 年 ___ 月 ___ 日

维修记录栏 (由维修员填写)	维修员签名	日期

注意事项：

1. 本单为保修凭证，请用户妥善保管，如有遗失，恕不保修或退换。
2. 保修期限制：购买之日起十二个月内。
3. 除了不可抗力事件损坏外，由本公司负责，免费维修。
4. 如属保管不善或使用不当造成的损坏，维修点将酌情收费。
5. 擅自拆卸维修者，不予保修。
6. 以上保修条款仅限于中国市场适用（不含港澳台地区）。

E126S (Lavalier) Wireless Voice Amplifier

■ Preface

Dear Customer,

Thank you for purchasing TAKSTAR E126S Wireless Voice Amplifier (Lavalier Version). Read this manual thoroughly for proper use.

If you have any questions or suggestions, please contact our local sales service.

■ Features

- Compact and lightweight mini amplifier.
- 2.4G wireless technology for stable, long-range transmission.
- Comes with new wireless lavalier mic: lightweight & portable, ready to use on power-up with auto-frequency adjustment.
- Rare-earth speaker for light weight, enhanced sound and increased volume.
- Utilizes digital amplification with a peak audio output of 8W.
- Built-in high-capacity lithium battery: energy-efficient & eco-friendly, approx. 10hrs usage time.
- Features wireless playback function, free from cable constraints, making playing music more convenient.
- Indicator display design for real-time monitoring of the amplifier's working status.
- Multiple wearing options including shoulder and waist carry for more convenient use.
- The amplifier is ergonomically designed, with a novel shape and stylish look.

■ Applications

For use in teaching, training, guiding, and promotional events.

E126S (Lavalier) Wireless Voice Amplifier

■ Package Contents

- | | |
|----------------------------------|------------------------------|
| 1 × Voice Amplifier | 1 × Shoulder Strap |
| 1 × Wireless Lavalier Microphone | 1 × User Manual |
| 1 × USB-C Charging Cable | 1 × Wired Headset Microphone |
| 1 × Belt Clip | 1 × Lanyard |

■ Specifications

Voice Amplifier

- Frequency Response: 150Hz-12kHz
- Peak Power: 8W
- Speaker Impedance: 4Ω
- THD: ≤1% 1kHz@4R, 4W
- Operating Voltage: 3.45V-4.2V
- Battery Type: Li-ion battery
- Battery Capacity: 3.7V/2000mAh
- Charging Spec: 5V=800mA
- Charging Time: Approx. 2.5h
- Operation Time: Approx. 10h
- Weight: Approx. 148g
- Dimensions: 92mm*72.5mm*25mm

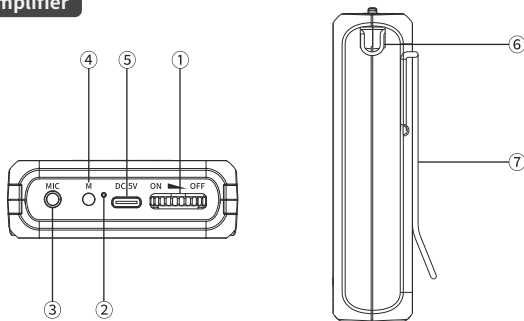
Lavalier Microphone

- Transducer: Back-electret condenser
- Polar Pattern: Uni-directional
- Frequency Response: 60Hz-16kHz
- Sensitivity: -50dB±3dB
- Operating Distance: Approx. 20m (indoor, interference-free)
- Battery Type: Lithium-ion
- Battery Capacity: 3.7V/240mAh
- Charging Spec: 5V=150mA
- Charging Time: Approx. 2 hours
- Usage Time: Approx. 10 hours
- Net Weight: Approx. 30g

Note: The above data are measured by Takstar laboratory which has the final interpretation right!

■ Function Descriptions

Voice Amplifier



① Power Switch & Volume Control Knob: Turn the knob toward the "ON" direction — you will hear a beep sound, indicating the amplifier is powered on. At this point, indicator light ② (Power) will turn blue.

Continuing to turn the knob toward "ON" increases the volume; conversely, turning it toward "OFF" decreases the volume until you hear a beep sound and the amplifier turns off.

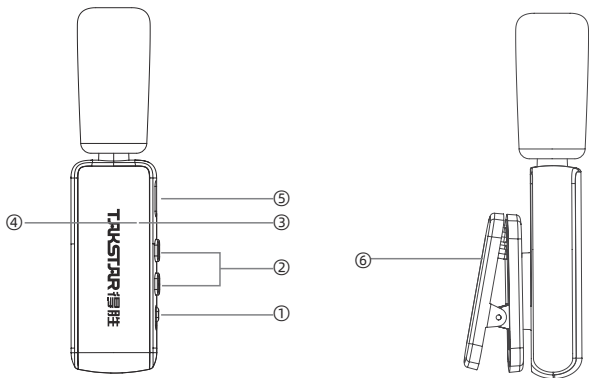
② Power Indicator Light: When charging: the indicator stays on red; When the red light turns off and the blue light stays steady, it means the battery is fully charged; during amplification, flashing red and blue lights indicate low voltage — please charge the amplifier in time when the red and blue lights flash like this.

③ MIC Input Jack: Insert the $\varnothing 3.5\text{mm}$ microphone plug into the jack for sound reinforcement. Please do not face the microphone's sound pickup side toward the amplifier's speaker to avoid feedback.

E126S (Lavalier) Wireless Voice Amplifier

- ④ "M" Mode Button: Press "M" button repeatedly when powered on to switch between microphone and wireless mode, accompanied by corresponding voice prompts. During music playback: double press "M" to skip to next track; triple press for previous; long press 2s to play/pause.
- ⑤ Charging Port: Charge the amplifier via the Type-C charging cable.
- ⑥ Hook: Attach shoulder strap here for convenient cross-shoulder wear.
- ⑦ Belt Clip: Used to clip the amplifier to a waist belt or waistband for use.

Lavalier Microphone



- ① Power switch: Toggle to "ON" to power on; to "OFF" to power off.
- ② Volume Buttons: Short press "+" to increase microphone volume by one level; press and hold "+" for continuous increase. Short press "-" to decrease volume by one level; press and hold "-" for continuous decrease. 9 volume levels total.

E126S (Lavalier) Wireless Voice Amplifier

- ③ Operation Indicator Light: Flashes blue during pairing; stays blue when paired successfully; flashes red when battery is low.
- ④ Charging Indicator Light: Stays red during charging; turns off when fully charged.
- ⑤ Charging Port: Insert a Type-C charging cable into this port, and connect the other end to a standard USB output charger to charge the device.
- ⑥ Clip: Used to securely fasten the lavalier mic to an appropriate position on the collar.

■ Operating Instructions

A. Usage Method

Turn on the power switches of the amplifier and lavalier microphone, and they will automatically pair. When the indicator light of the lavalier microphone changes from flashing to steady on, and the amplifier outputs sound when speaking into the microphone, the pairing is successful. In case of signal interference, re-pair as follows:

1. Pairing Method

- ① Long-press the the lavalier microphone's volume "+" and "-" buttons simultaneously for 2s to enter pairing search mode. The blue indicator light of the lavalier microphone will flash rapidly. Then turn on the amplifier's power switch to pair. When the indicator light changes from rapid flashing to steady on and the amplifier outputs sound when speaking into the microphone, pairing is successful.
- ② If the amplifier does not produce sound when speaking into the microphone, pairing fails. Please re-pair using the above method.

E126S (Lavalier) Wireless Voice Amplifier

B. Wireless Playback Pairing

For initial use, pair with a smartphone or other playback devices as follows:

1. Power on the amplifier and press the "M" button to switch to wireless playback mode. The indicator will flash blue rapidly, indicating it is in pairing mode.
2. Go to your phone's "Settings" menu, enable wireless playback, and search for "TAKSTAR E126S" to connect. When the indicator changes from fast to slow flashing with a voice prompt, wireless playback is connected — enabling music playback from mobile phones, laptops, tablets, iPads, etc.
3. For subsequent use, when selecting wireless playback mode, the amplifier will automatically reconnect to the last paired device with a voice prompt.
4. Press the "M" button while turning on the amplifier, then release the "M" button after 5s. This will clear the wireless connection address codes of devices the amplifier has paired with, allowing you to search for and pair other playback devices.

■ Safety Instructions

To avoid electric shock, overheat, fire, radiation, explosion, mechanical risk and injury or property loss due to improper use, please read and observe the following items before use:

1. Please check if the power of the connected equipment matches with that of this product before operation. Adjust the volume to proper level during operation. Do not operate at over-power or high-volume level for extended time to avoid product malfunction.
2. If there is any abnormality during use (e.g., smoke, strange odor), please kill the power switch and unplug from power source, then send the product to the local after-sales service for repair.
3. Power adapter used, if any, should be approved by CCC certification or similar standards and comply with the power supply requirements.
4. Keep this product and its accessories in a dry and ventilated area. Do not store in a humid or dusty area for extended time. Keep away from fire, rain, liquid intrusion, bumping, throwing, vibrating, or from blocking any ventilation openings, to prevent malfunction.
5. The product must, when installed on walls or ceilings, be fixed firmly in place at adequate strength to prevent from falling.
6. Please abide by safety rules during operation. Do not use the product in places prohibited by laws or regulations to avoid accident.
7. Do not disassemble or repair the product by yourself to avoid injury. If you have any questions or require any services, please contact our local after-sales service.

■ Label Meanings



This symbol indicates that this product should not be disposed of with your household waste, according to the WEEE directive (2012/19/EU) and your national law. This product should be handed over to an authorized collection site for recycling waste electrical and electronic equipment (WEEE). Improper handling of this type of waste could have a possible negative impact on the environment and human health due to potentially hazardous substances that are generally associated with WEEE. At the same time, your cooperation in the correct disposal of this product will contribute to the effective usage of natural resources. For more information about where you can drop off your waste equipment for recycling, please contact your local city office, waste authority, or your household waste disposal service.

■ About This Manual

This manual contains up-to-date technical specifications as of printing. However, specifications contained herein may not conform to your particular product since Takstar is constantly improving its products. Also, specifications, devices or accessories available may vary from region to region. If you have any questions, please contact our local sales outlet. For the latest version/more information, please visit our website: <https://www.takstar.com>

Copyright ©2025 TAKSTAR. TAKSTAR, 得胜 and their respective logos are registered trademarks or trademarks of Takstar company in the PRC, and/or other countries. All other trademarks are the property of their respective owners.



扫一扫, 了解更多产品
Scan for more
product information

广东省电声工程技术研究开发中心 广东得胜电子有限公司制造

地址: 广东省惠州市博罗县龙溪街道富康一路2号

服务热线: 400 6828 333 传真: 0752 6383950

邮箱: xs@takstar.com

网址: www.takstar.com

Designed & Manufactured by:

Guangdong Takstar Electronic Co., Ltd.

Address: No.2 Fu Kang Yi Rd., Longxi Boluo
Huizhou, Guangdong 516121 China

Tel: 86 752 6383644 Fax: 86 752 6383952

Email: sales@takstar.com

Website: www.takstar.com