

尊敬的用户：

感谢您选购得胜E129扩音器，为了您能够更好的了解使用本产品，建议您在使用前仔细阅读本说明书。

若存在有疑问或者您有宝贵的建议，可通过拨打得胜官方服务热线400 6828 333或使用微信扫描二维码关注得胜官方公众号与我们联系。



产品特性

- 一款体积小巧轻便的Mini型扩音器
- 采用稀土材料扬声器，重量更轻、音质更好、声音更大
- 数字扩音技术，8W大功率音频输出
- 内置大容量聚合物锂电池，可循环充电使用，节能环保
- 内置MCU充电管理系统，具有电池保护功能，电池使用更加安全可靠
- 充电只需4-6小时，使用时间可达15小时以上
- 具有Line in音频信号输入功能，可充当小音箱使用
- 机壳采用ABS工程原料成型，坚固可靠
- 产品外观设计时尚，具有肩挂及腰挂等多种佩戴方式，使用更方便

包装清单

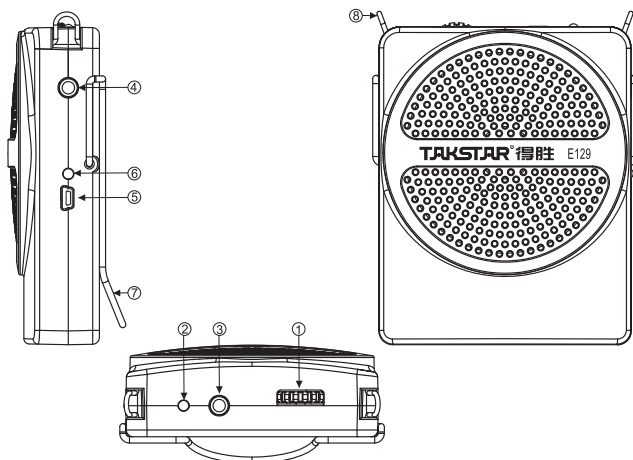
扩音器	1个
头戴麦克风	1个
腰挂扣	1个
USB充电线	1个
肩带	1条
说明书	1份

技术参数

- 频率响应：90Hz-12KHz
- 额定输出功率：4W
- 峰值功率：8W
- 扬声器阻抗：4Ω
- 电池规格：3.7V/1000mAh锂离子电池
- 充电器规格：DC 5V=600mA
- 充电时间：4-6小时
- 使用时间：≥15小时
- 产品规格：92x72x27mm
- 主机重量：122g

注：以上数据由得胜实验室测试得到，并拥有最终解释权！

控制面板功能示意图



- ① 电源开关和音量调整旋钮：向左转动旋钮，听到“滴”一声，表示扩音器已通电，此时电源指示灯②亮，继续向左转动旋钮声音增加，反之，声音减小直至关机

- ② 电源指示灯：当扩音器通电时，此灯会亮。绿灯表示高电压，红灯表示低电压，当此灯亮红灯时，请及时为电池充电
- ③ MIC IN 输入插孔：将ø3.5mm的麦克风插头插入此孔，进入扩音工作状态；操作时，请不要将麦克风的拾音面朝向扩音器的扬声器，以免产生啸叫
- ④ LINE IN 输入插孔：用ø3.5mm音频线将DVD、MP3等音乐信号导入本机可做为有源音箱使用
- ⑤ 充电输入插孔：将USB充电线插入此孔，另一端连接通用的USB输出充电器（如手机充电器、电脑USB接口等），即可对电池进行充电
- ⑥ 充电指示灯：将USB充电线插入⑤孔内时，指示灯亮红灯，表示电池进入充电状态；指示灯由红色变为绿色后，表示电已充满
- ⑦ 腰挂扣
- ⑧ 肩挂扣

使用说明

1. 将头戴麦克风正确的佩戴在头部，并调整好麦克风的拾音角度
2. 将ø3.5mm的麦克风插头插入麦克风输入孔内
3. 打开电源，电源指示灯亮，调整音量按键到合适的音量大小
4. 在使用过程中，若电量指示灯亮红灯时，表示电池低电时，请及时充电
5. 本机有完善的保护功能，当保护功能启动后，需通过充电来恢复

安全警示

为避免电击、过高温、着火、辐射、爆炸、机械危险以及使用不当等可能造成的人身伤害或财产损失，使用本产品，请仔细阅读并遵守以下事项：

1. 使用产品时请确认所连接设备与本产品功率是否匹配以及合理调整音量大小，不要在超过产品功率及大音量下长时间使用，以免造成产品异常和耳朵听力损伤；
2. 使用中若发现有异常（如冒烟、异味等），请立即关闭电源开关并拔掉电源插头，然后将产品送经销商检修；
3. 本产品及配件都应放置在室内干燥通风处，勿长期存放在潮湿、灰尘多的环境，使用中避免靠近裸露火源、碰到液体物质、雨淋、产品进水、过度碰撞、抛掷、振动本机及覆盖通风孔，以免损坏其功能；
4. 若产品需要固定于墙壁或天花板上时，请确保固定到位，防止因固定强度不足导致产品发生跌落危险；
5. 使用该产品时需遵守相关安全规定，法律法规明确禁止使用场合请勿使用本产品，以免导致意外事故；
6. 请不要自行拆机改装或维修，以防止出现人身伤害，如有问题或服务需求请联系当地售后服务网点跟进处理。

环保说明

产品中有毒有害物质或元素的名称及含量标识表

部件名称	有毒有害物质或元素					
	铅 (Pb)	汞 (Hg)	镉 (Cd)	六价铬 (Cr(VI))	多溴联苯 (PBB)	多溴二苯醚 (PBDE)
塑料部件	○	○	○	○	○	○
金属部件	×	○	○	○	○	○
电路板组件	×	○	○	○	○	○
线缆	×	○	○	○	○	○

本表格依据SJ/T 11364的规定编制。

○：表示该有害物质在该部件所有均质材料中的含量均在GB/T 26572规定的限量要求以下。

×：表示该有害物质至少在该部件的某一均质材料中的含量超出GB/T 26572规定的限量要求。

此标志为产品的环保使用期限标志，

且此环保使用期限只适用于产品正常工作的温度和湿度等条件。



Dear User:

Thank you for purchasing TAKSTAR E129 Amplifier. Please read the user manual before operation and keep it for reference in future.

Features

- Small size and lightweight Mini amplifier
- Rare earth material speaker features light weight, excellent sound quality and loud output volume
- Digital circuitry technology, 8W output power
- Powered by high capacity rechargeable polymer Li-ion battery
- Built-in MCU intelligent recharging management system for reliable battery operation, fast charging time (4-6hrs) and long play time (more than 15hrs)
- With AUX audio signal input function, as a small speaker
- Compact and elegant design, durable ABS construction
- Choices of waist or shoulder hanging wear style for convenient use

Product Content

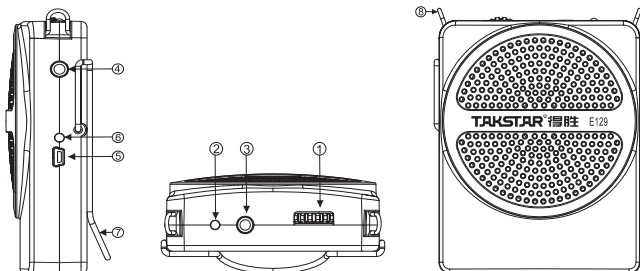
Amplifier	1pc
Headworn Mic	1pc
Buckle	1pc
USB charging cable	1pc
Strap	1pc
User Manual	1pc

Specification

- Frequency Response: 90Hz-12KHz
- Rated Output Power: 4W
- Max. Output Power: 8W
- Output Impedence: 4Ω
- Battery Specification: 3.7V/1000mAh lithium-ion battery
- Power Adaptor: DC 5V±600mA
- Recharging Time: 4-6hrs
- Playtime: ≥15hrs
- Dimension: 92×72×27mm
- Net Weight: 122g

Note: the above data is obtained from the test of Takstar laboraroty, and Takstar has the final interpretation right!

Function Illustration



- ① Power switch and volume adjustment knob: rotate the knob to left till you hear “di” to turn on the amplifier, and the power indicator lights up, rotate to left continuously to increase the volume; rotate to right to decrease the volume till turn off.
- ② Power indicator: it lights up when the amplifier is on. Green means the power is normal, red means the power is low, please recharge timely when the LED lights red.

- ③ MIC IN input socket: insert the microphone plug to this socket to amplify; please do not point the microphone to the speaker to avoid howling.
- ④ LINE IN input socket: connect the amplifier to DVD or MP3 with Φ3.5mm audio cable, as a small speaker.
- ⑤ Charging input connector: connect USB charging cable with this connector, and the other end with USB output charger (e.g. cell phone charger, PC USB interface, etc) to recharge the battery.
- ⑥ Charging LED: plug USB charging cable into connector ⑤, and the charging LED lights up. This means the battery is being recharged.
- ⑦ Waist wearing buckle
- ⑧ Shoulder hanging buckle

How to Use

1. Wear the headworn microphone correctly and adjust the suitable microphone pick-up angle
2. Insert Φ3.5mm microphone plug into MIC in socket
3. Turn on the power, the power indicator will light up, then adjust the volume
4. If the power indicator lights red, it means the battery power is low, please recharge timely
5. This unit has perfect protection function. When the protection function works, it needs recharging to recover.

Safety Instructions

To avoid electric shock, overheat, fire, radiation, explosion, mechanical risk and injury or property loss due to improper use, please read and observe the following items before use:

1. Please check if the power of the connected equipment matches with that of this product before operation. Adjust the volume to proper level during operation. Do not operate at over-power or high-volume level for extended time to avoid product malfunction.
 2. If there is any abnormality during use (e.g., smoke, strange odor), please kill the power switch and unplug from power source, then send the product to the local after-sales service for repair.
 3. Keep this product and its accessories in a dry and ventilated area. Do not store in a humid or dusty area for extended time. Keep away from fire, rain, liquid intrusion, bumping, throwing, vibrating, or from blocking any ventilation openings, to prevent malfunction.
 4. The product must, when installed on walls or ceilings, be fixed firmly in place at adequate strength to prevent from falling.
 5. Please abide by safety rules during operation. Do not use the product in places prohibited by laws or regulations to avoid accident.
 6. Do not disassemble or repair the product by yourself to avoid injury.
- If you have any questions or require any services, please contact our local after-sales service.