

# TAKSTAR® 得胜



**E150** 便携式扩音器  
Portable Amplifier

## ■ 前言

尊敬的用户：

感谢您选购得胜E150便携式扩音器，为了您能够更好的了解使用本产品，建议您在使用前仔细阅读本说明书。

若存在有疑问或者您有宝贵的建议，可通过拨打得胜官方服务热线400 6828 333或微信扫描二维码关注得胜官方公众号与我们联系。



## ■ 产品特性

1. 一款带播放功能的便携式扩音器，适用于教学、导游、促销等场合；
2. 采用F类功放芯片，能输出高达12W的峰值功率；
3. 选用稀土材质扬声器，重量轻、音质好、声音大；
4. 具有无线播放功能，连接手机、电脑、PAD等设备播放音乐；
5. 支持插TF卡，具有音乐播放功能，可播放MP3、WAV音频格式文件；
6. 具有录音功能，可录制储存WAV格式的音频文件；
7. 内置大容量锂电池，充电约4小时，使用时间可达15小时以上；

## ■ 包装清单

扩音器.....	1台
头戴麦克风.....	1个
电源适配器.....	1个
腰带.....	1条
肩带.....	1条
说明书.....	1份

## ■ 适用范围

适用于教学、导游、培训、促销、宣传、晨练、娱乐等场合扩音

## ■ 技术参数

### 主机（扩音器）：

频率响应：150Hz-12kHz

峰值功率：12W

扬声器阻抗：4Ω

媒体播放：TF卡，支持64G及以下

媒体格式：MP3、WAV、WMA

电池类型：锂离子电池

电池规格：3.7V/2000mAh

充电规格：DC 5V/600mA

充电时间：约4小时

使用时间：15小时以上

待机时间：约96小时

单机重量：约230g

产品规格：92\*91\*43mm

### 头戴麦克风：

拾音器：驻极体音头

指向性：单指向

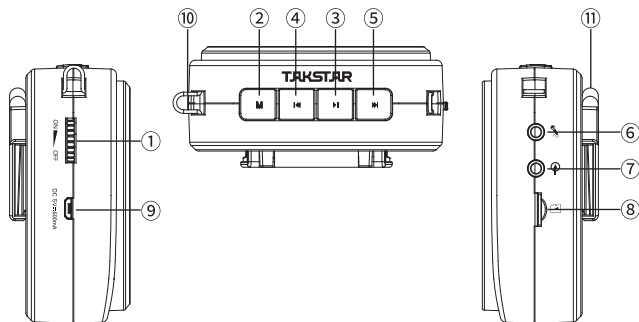
频率响应：50Hz-15kHz

灵敏度：-44至-47dB

(0dB=1V/Pa/m at 1kHz)

注：以上数据由得胜实验室测得并拥有最终解释权。

## ■ 功能示意



①电源开关：向“ON”方向拨动旋钮，听到“哒”一声，同时“M”键指示灯慢闪绿灯，表示扩音器已通电并进入人声扩音状态，继续向“ON”方向拨动旋钮声音增大，反之向“OFF”方向拨动则声音减小直至听到“哒”的一声关机；

②“M”模式切换按键及电量提示：有3种工作模式，按顺序分别是蓝牙模式、TF卡模式、音源输入模式。开机状态下，短按该按键可切换工作模式，并有相应的语音提示。当接入AUX音源或插TF卡时，以音源输入模式或插卡模式为优先，当拔掉AUX音源或退出TF卡时，跳转到下一个工作模式；在插有TF卡及连接麦克风的情况下，长按此键约3秒进入录音模式，并有语音提示“录音模式”，录制完成时长按此键或拔出麦克风插头可退出并保存录音，同时语音提示“退出录音模式”，然后自动循环播放刚才的录音；15分钟后无任何操作时，“M”键指示灯从长亮变成慢闪，表示扩音器进入待机状态，按M键可唤醒；

③“||”播放/暂停按键：在蓝牙、TF卡模式下，短按此键可控制播放与暂停；在音源输入模式下，短按此键可静音。在蓝牙播放时，长按此键可以断开蓝牙连接，并有语音提示“蓝牙已断开”，再次长按此键重新回连蓝牙信号，并有语音提示“蓝牙已连接”；在TF卡模式下播放音乐时，长按此键进入单曲循环播放状态，并





有语音提示“单曲循环模式”。再次长按此键，退出单曲循环播放，并有语音提示“关闭单曲循环”；

④ “”上一曲按键：在蓝牙、TF卡播放状态时，短按此键为上一曲；

⑤ “”下一曲按键：在蓝牙、TF卡播放状态时，短按此键为下一曲；

⑥ “” MIC输入接口：将有线麦克风插头插入此孔，进入人声扩音状态；

⑦ “” AUX输入接口：通过 $\varnothing 3.5\text{mm}$ 音频连接线与手机、平板、MP3等播放设备连接，可将扩音器做为有源音箱使用；

⑧ “” TF卡插槽：根据示意的插卡方向插入TF内存卡。插入时，听到“哒”一声，表示已安装到位；取卡时将卡往下按压，听到“哒”一声，TF内存卡会自动弹出来；

提示：请确保TF卡中储存的是MP3、WAV格式的音频文件，否则不能正常读取歌曲文件甚至会有损坏机器的风险；拷入歌曲前请先将TF卡按FAT16、FAT32格式进行格式化，其它方式的格式化（如exFAT、NTFS格式）会导致录音无法保存或者储存的歌曲无法播放。

⑨ 充电接口：通过Micro USB充电线为扩音器充电；

⑩ 挂扣：用于安装肩带，可将扩音器斜挂于肩上使用；

⑪ 背扣：用于安装腰带，可将扩音器绑于腰上使用；

### ■ 蓝牙配对

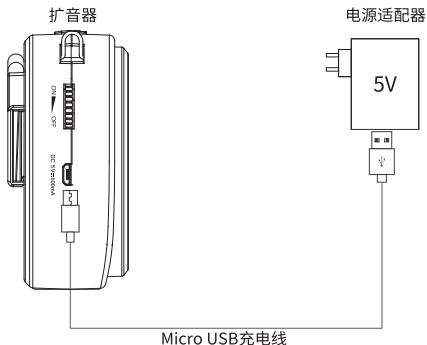
首次使用本机时，需要与手机或蓝牙设备配对连接，步骤如下：

1.先打开扩音器电源开关，短按“M”键，当“M”键指示灯绿灯快闪，并且语音提示“蓝牙模式”时，表示正在蓝牙搜索配对状态；

2.进入手机的“设置”菜单，找到蓝牙功能选项，开启手机的蓝牙功能，待搜索到“TAKSTAR E150”，点击“TAKSTAR E150”进行连接，当扩音器语音提示“蓝牙已连接”，表示蓝牙连接成功，蓝灯从快闪变为长亮状态；

3.下次开机后选择到蓝牙模式下，会自动回连最后一次使用的蓝牙设备，并提示“蓝牙已连接”。

## ■ 充电示意



1. 建议使用标配的电源适配器给扩音器充电。也可连接移动电源、电脑USB或其它电源适配器进行充电；

注意：选用电源适配器规格：DC 5V/600mA，5V/1A，5V/1.5A，5V/2A；

2. 扩音器在开机状态下，“M”键指示灯不亮，说明扩音器没电；指示灯红灯长亮，说明扩音器电量不足；

3. 在工作状态下充电，指示灯红绿灯长亮；在待机状态下充电，指示灯红灯长亮，绿灯慢闪；在关机状态下充电，指示灯红灯长亮；充满电后，指示灯长亮绿灯；使用标配的电源适配器给扩音器充电，约4小时即可充满电；当电池电量充满时，请停止对电池充电，避免电池过充。

提示：初次使用时，建议先充满电；如长时间不用，要每半年给扩音器充一次电，避免电池过放，对电池性能产生影响。

## ■ 注意事项

为避免电击、高温、着火、辐射、爆炸、机械危险以及使用不当等可能造成的人身伤害或财产损失，使用本产品前，请仔细阅读并遵守以下事项：

- 1.使用产品时请确认所连接设备与本产品功率是否匹配以及合理调整音量大小，不要在超过产品功率及大音量下长时间使用，以免造成产品异常和听力损伤；
- 2.使用中若发现有异常（如冒烟、异味等），请立即关闭电源开关并拔掉电源插头，然后将产品送经销商检修；
- 3.本产品及配件都应放置在室内干燥通风处，勿长期存放在潮湿、灰尘多的环境，使用中避免靠近火源、雨淋、进水、过度碰撞、抛掷、振动本机及覆盖通风孔，以免损坏其功能；
- 4.若产品需要固定于墙壁或天花板上时，请确保固定到位，防止因固定强度不足导致产品发生跌落危险；
- 5.使用该产品时需遵守相关安全规定，法律法规明确禁止使用场合请勿使用本机，以免导致意外事故；
- 6.请不要自行拆机改装或维修，以防止出现人身伤害，如有问题或服务需求请联系当地经销商跟进处理；
- 7.本产品适用的海拔及气候条件由适配器决定，使用前请阅读并理解适配器上的图标含义。示例如下：



仅适用于海拔2000  
米以下地区使用



仅适用于非热带  
气候条件下使用

## ■ Preface

Dear Customer,

Thank you for purchasing Takstar E150 portable amplifier. Please read the user manual carefully before operation and keep it for reference in future. If you have any question or suggestion, please contact our local dealer.

## ■ Features

- 1.The portable amplifier with playing function to suit for teaching, tour guide and promotion
- 2.Class F power amplifier chip, up to 12W peak output power
- 3.Rear earth material speaker, light weight, wonderful sound, high volume
- 4.Wireless playing function to link with cell phone/PC/PAD to play music
- 5.TF car to audio playing in MP3/WAV format
- 6.Recording function to record audio file in WAV format
- 7.High capacity Li-ion battery, 4 h charging lasts for more than 15h operation

## ■ Product Content

Amplifier.....	1pc
Headworn microphone.....	1pc
Power adptor.....	1pc
Waist strap.....	1pc
Shoulder strap.....	1pc
User manual.....	1pc

### ■ Application

Teaching, tour guide, training, promotion, propaganda, morning exercise, entertainment

### ■ Specification

#### Amplifier:

Frequency Response: 150Hz-12kHz

Peak Power: 12W

Speaker Impedance: 4Ω

Media Playing: TF card, mas 64G

Media Format: MP3, WAV, WMA

Battery Type: Li-ion battery

Battery Specification: 3.7V/2000mAh

Charging: DC 5V/600mA

Charging Time: approximate 4h

Operation Time: more than 15h

Standby Time: approximate 96h

Net Weight: approximate 230g

Dimension: 92\*91\*43mm

#### Headworn Microphone:

Cartridge: electret cartridge

Polar Pattern: unidirectional

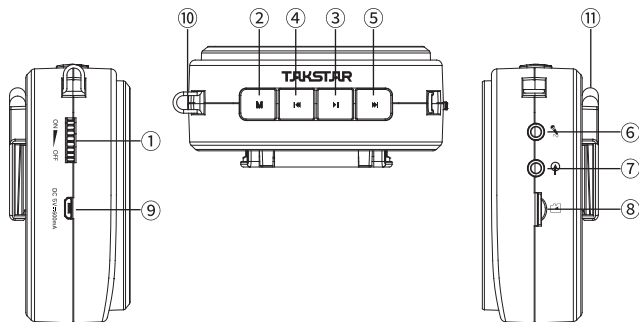
Frequency Response: 50Hz-15kHz

Sensitivity: -44 to -47dB

(0dB=1V/Pa/m at 1kHz)

**Note:** The above data are tested by the Takstar laboratory and Takstar has the right of final interpretation.

## ■ Function



① Power switch: turn the power switch to ON direction. It sounds Da and the mode button LED flashes green slowly. This means the amplifier is turned on and enters into vocal reinforcement status. Turn the power switch to ON continuously to increase volume. Turn the power switch to OFF continuously to decrease volume. When it sounds Da, the amplifier is turned off.

② The mode button switching and power supply: totally three operation modes: Bluetooth mode, TF card mode, audio input mode. After turning on the amplifier, press this button to switch the operation mode and there is relative sound prompt. When connecting with AUX audio source or inserting TF card, the audio source input mode and TF card mode have the priority. When disconnecting with AUX audio source or taking out TF card, it goes to the next operation mode. When inserting TF card or connecting with microphone, press this button for 3 seconds and the amplifier goes into recording mode, and there is RECORDING MODE sound. After recording, keep pressing this button or disconnect the microphone connector to exit and save the recording content, meanwhile there is EXIT RECORDING MODE sound,

then the amplifier repeatedly play the recording content. If there is no operation after 15 minutes. Mode button LED change from keeping lighting up to flashing slowly. This means the amplifier is in the standby status now. Press the mode button to wake up the standby status.

③ “▶||” Play/pause button: In Bluetooth and TF card mode, press this button to control play and pause, and in audio source input mode, press this button to mute. When playing in Bluetooth mode, keep pressing this key to disconnect the Bluetooth connection, and voice prompt "Bluetooth is disconnected", then keep pressing this key to reconnect the Bluetooth signal again, and voice prompt "Bluetooth is connected". When playing music in TF card mode, keep pressing this key to enter the single song repeat playing status, and voice prompt "single song repeat". Press this key again for a long time to exit the single song repeat playing, and there is a voice prompt "Close the single song repeat";

④ “◀◀” The previous song key: In Bluetooth and TF card mode, press this button for previous song.

⑤ “▶▶” The next key: In Bluetooth and TF card mode, press this button for next song.

⑥ “🎤” MIC input connector: connect the microphone with this connector to enter into vocal reinforcement status.

⑦ “📶” AUX input connector: it connects with playing equipments, e.g. cell phone, PAD, MP3 via Ø3.5mm audio cable. The amplifier can be used as active speaker cabinet.

⑧ “📄” TF card port: insert the TF card according to the indicated direction. When there is the sound Da, the means the card in inserted fully. Press the card to release the card.

Note: please make sure the media in TF card is MP3 or WAV format, otherwise the media can not be read or even it destroys the amplifier. Before copy the songs into TF card, format the card in FAT16 or FAT32 way. The other format, e.g. exFAT or NTFS will lead to that the recording can not be saved or the saved songs can not be played.

⑨Charging port: charging the amplifier via Micro USB cable.

⑩Shoulder strap buckle: it is used to assemble the shoulder strap to wear the amplifier on shoulder.

⑪Waist strap clip: it is used to assemble the waist strap to wear the amplifier on waist.

### ■ Bluetooth Matching

For the first time operation, you need to match the bluetooth of cell phone or other equipment according to the steps below:

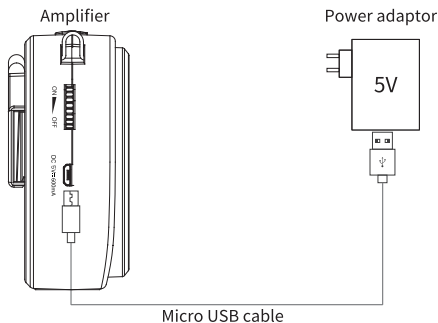
1.Turn on the power switch of the amplifier and press the M button. When the M button LED flashes green quickly and the sound prompts "Bluetooth mode". This means the Bluetooth matching status.

2.Enter into the cell phone setting menu and turn on the Bluetooth function, and then search TAKSTAR E150. Click TAKSTAR E150 for connection. The sound prompts Bluetooth Connected. This means the Bluetooth is connected successfully. The LED changes from flashing blue quickly to keeping lighting up.

3.When turning on the amplifier next time and select Bluetooth mode, it automatically links with the last connected Bluetooth equipment, and it sounds Bluetooth Connected.



## ■ Charging



1. It is recommended that the standard power adapter be used to charge the amplifier, or power bank, PC USB or other power adapter for charging.

Note: power adapter specification: DC 5V/600mA, 5V/1A, 5V/1.5A, 5V/2A;

2. After turning on the amplifier, M button LED does not light up. This means the battery power is used up. If the LED keeps lighting up red, this means the low battery power.

3. Charge the amplifier during operation, red and green LEDs keep lighting up. In standby status, the red LED keeps lighting up, and the green LED flashes slowly. In turning off status. Charge the amplifier in turning off status, the red LED keeps lighting up. After being charged fully, the green LED keeps lighting up. Use the standard adapter to charge the amplifier. 4h to charge fully. After charge the amplifier fully, please stop charging to avoid battery damaged.

Note: for the first time operation, it is suggested that the battery should be charged first. If it will not be used for a long time, it should be charged once every six months to avoid battery overdischarge, which will affect battery performance.

### ■ Caution

To avoid electric shock, over temperature, catching fire, explosion, mechanical risk and hurt or property loss caused by improper use, please read the following items carefully before operation:

1. Before operation please make sure the amplifier power matches with that of the connected equipment. Adjust the volume to proper level during operation. Do not operate at high volume level to avoid hearing loss.
2. If abnormal phenomenon (smoke, abnormal smell) happens, please turn off the power switch and disconnect the power plug with power socket, and send the product to local dealer for maintenance.
3. The product and accessories should be put in dry and ventilated place rather than humid or dusty environment. Prevent the product from liquid, rain, water, over-colliding, throwing, vibrating, vent hole covered to avoid function destroyed.
4. When the product needs to be installed on wall or ceiling, please fix it tightly to avoid dropping risk.
5. Please abide by safety rules during operation. Do not use the product in the place prohibited by regulation or law to avoid accident.
6. Do not disassemble or repair the product by yourself to avoid hurt. If you have question or need service, please contact the local dealer.
7. The applicable altitude and climate condition of this product is subject to the power adaptor, the meaning of the power adaptor icons is as below:



Applicable to the altitude below 2000m only



Applicable to the non-tropical climate condition only

## 产品中有毒有害物质或元素的名称及含量标识表


部件名称	有毒有害物质或元素					
	铅 (Pb)	贡 (Hg)	镉 (Cd)	六价铬 (CrVI)	多溴联苯 (PBB)	多溴二苯醚 (PBDE)
塑料部件	○	○	○	○	○	○
金属部件	×	○	○	○	○	○
电路板组件	×	○	○	○	○	○
线缆	×	○	○	○	○	○

本表格依据SJ/T 11364的规定编制。

○: 表示该有害物质在该部件所有均质材料中的含量均在 GB/T 26572规定的限量要求以下。

×: 表示该有害物质至少在该部件的某一均质材料中的含量超出 GB/T 26572规定的限量要求。

此标志为产品的环保使用期限标志，  
且此标保使用期限只适用于产品正常工作的温度和湿度等条件。



### 注意事项:

1. 本单为保修凭证，请用户妥善保管，如有遗失，恕不保修或退换。
2. 保修期限限制：购买之日起十二个月内。
3. 除了不可抗力事件损坏外，由本公司负责，免费维修。
4. 如属保管不善或使用不当造成的损坏，维修点将酌情收费。
5. 擅自拆卸维修者，不予保修。
6. 以上保修条款仅限于中国市场适用（不包含港澳台地区）。

## 产品服务保证书

姓名: \_\_\_\_\_ 电话: \_\_\_\_\_ 地址: \_\_\_\_\_

商品: \_\_\_\_\_ 型号: \_\_\_\_\_ 购买日期: \_\_\_\_\_ 年 \_\_\_\_\_ 月 \_\_\_\_\_ 日

维修记录栏(由维修员填写)	维修员签名	日期

◆ 广东得胜电子有限公司 ◆ 电话: 400-6828-333 ◆ 地址: 广东省惠州市博罗县龙溪街道富康一路2号





扫一扫，了解更多产品  
Scan for more  
product information

## **广东省电声工程技术研究开发中心 广东得胜电子有限公司制造**

地址：广东省惠州市博罗县龙溪街道富康一路2号

服务热线：400 6828 333 传真：0752 6383950

邮箱：xs@takstar.com

网址：www.takstar.com

Guangdong Takstar Electronic Co., Ltd.

Address: No. 2 Fu Kang Yi Rd., Longxi Boluo

Huizhou, Guangdong 516121 China

Tel: 86 752 6383644 Fax: 86 752 6383952

Email: sales@takstar.com

Website: www.takstar.com