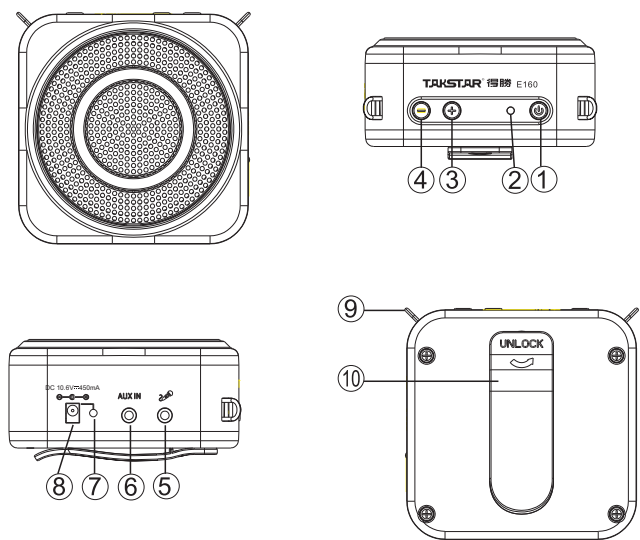


欢迎使用 TAKSTAR 便携式数字扩音器。本产品是专为教学、导游和参观等而设计的，采用数字技术，节能环保，音质清晰，是教学、导游的理想选择。在使用之前，请仔细阅读说明书，以便能正确的操作，发挥本扩音器的理想性能。

## 产品特性

- D类数字扩音技术，大功率音频输出，音质清晰
- 采用AGI声扩展技术，提升频宽和动态响应
- 内置大容量聚合物锂电池，可循环充电使用，节能环保
- 内置MCU电源管理系统，电池工作安全可靠
- 电子触控功能按键，操作简便易用
- 具有AUX音频信号输入功能，可充当小音箱使用
- 外观采用铝合金 + 工程材料设计，质感强、美观耐用
- 具有肩挂及腰挂等多种佩戴方式，使用方便

## 控制面板功能示意图



- ① 电源开关按钮：长按此键1-2秒开机，此时电源指示灯②亮
- ② 电源指示灯：当扩音器开机时，此灯会亮。绿灯表示高电压，红灯表示低电压，当此红灯闪烁时表示电压低，请及时为电池充电
- ③ 音量功能按键：按此键增加音量
- ④ 音量功能按键：按此键减小音量
- ⑤ MIC IN 输入插孔：将Φ3.5mm的麦克风插头插入此孔，进入扩音工作状态；操作时，请不要将麦克风的拾音面朝向扩音器的扬声器，以免产生啸叫
- ⑥ AUX IN输入插孔：用Φ3.5mm插头音频线将DVD、MP3等音乐信号导入本机可做有源音箱使用
- ⑦ 充电指示灯：将充电器插入⑧孔内时，指示灯亮，表示电池进入充电状态；指示灯由红色变为绿色后，表示电已充满
- ⑧ 充电输入插孔：将赠送的DC 10.6V 450mA电源充电器插头插入此孔，即可开始对电池充电
- ⑨ 肩挂扣
- ⑩ 背扣：安装时，把背扣对准机壳的扣位方向按下，向右旋转背扣，可以把背扣固定在机壳上；反之，向左旋转背扣即可取出

## 技术参数

频率响应：80Hz-12kHz  
 额定音频功率：5W

峰值功率：12W  
 扬声器阻抗：4Ω  
 工作电压：DC 7.4V  
 电池规格：7.4V 锂离子电池  
 充电器规格：DC 10.6V 450mA  
 充电时间：4-6小时  
 使用时间：约8小时  
 产品规格：90×90×43mm  
 单机重量：265g

## 使用与注意事项

- 本机内置低电保护功能，能有效延长电池的使用寿命；使用时，如电源指示灯常亮（或闪烁）红色，表示电池已低电，此时在大音量状态下有可能会引起保护关机，因此必须及时为电池充电
- 为了达到良好的效果，请对准头戴的咪芯（1-2cm）处发音
- 将头戴麦克风正确的佩戴在头部，并调整好麦克风的拾音角度，以防方向不正引起啸叫
- 请根据实际使用空间适当调整音量大小，以获取理想使用效果
- 请不要将外部音源信号（如DVD、MP3等）从MIC插孔输入，以免声音幅度过大而失真
- 为了让充电安全可靠，请使用赠送的DC10.6V 450mA充电器充电
- 非专业技术人员请不要擅自拆机改装或维修；如有问题或服务需求请联系当地经销商
- 低电量或长时间不使用时应将电池充满电，以确保电池的使用寿命
- 请勿将电池或电池组放在日照、火烤等类似过热环境中
- **注意：**电池或电池组更换不当会有爆炸危险，只能用同样类型或等效类型的电池来更换并注意电池极性
- **禁止：**禁止电池反接，短路，猛烈撞击和作为儿童玩具；不能使用其他充电装置为本机电池充电，也不能用本机为其他的电池充电，使用不当会有爆炸危险；禁止对非充电电池充电
- 整机及配件都应放置在室内干燥通风处，避免雨淋、水滴、进水、重摔及覆盖通风孔
- 为保护环境，请将废弃电池放入指定的分类垃圾桶或寄回给生产商，不可直接丢弃
- 应保持电源或充电适配器的操作方便。长时间不用时，请将适配器从电源插座中拔出



仅适用于海拔2000米以下地区使用



仅适用于非热带气候条件下使用

## 标准配置



## 适用场合

教学、导游、培训、宣传、参观等场合扩音用

## 广东得胜电子有限公司

地址：广东省惠州市博罗县龙溪镇富康一路2号  
 邮箱：xs@takstar.com

电话：400 6828 333  
 邮编：516121

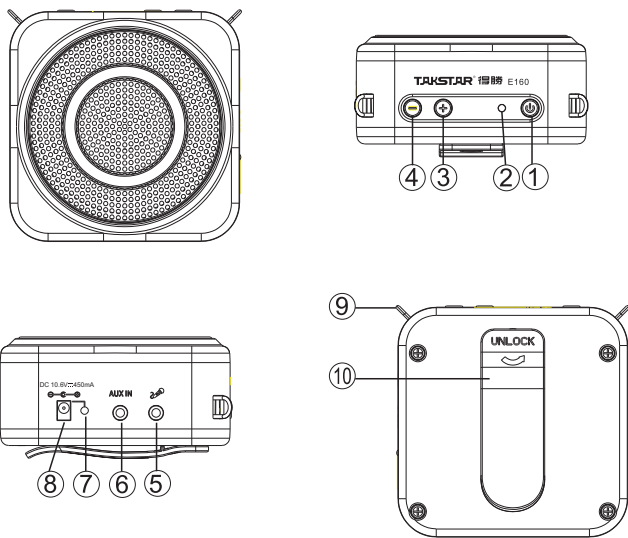
传真：0752-6383950  
 网址：www.takstar.com

Welcome to use TAKSTAR portable digital voice amplifier, with the excellent digital technology, environmental protection and clear sound quality, this product is ideal for teaching, tour guide, training etc. Please read this user manual detailedly before using to make sure the correct operation.

## Features

- Class D digital amplification technology for high power audio output and clear sound quality
- Innovative AGI sound extension technology enhances the frequency band and dynamic response
- Built-in high capacity rechargeable lithium-ion battery
- Built-in MCU intelligent recharging management system ensures safe and reliable battery operating
- Electronic touching button for easy operation
- AUX audio signal input function for using as a small speaker
- Elegant and durable outlook
- Multiple wearing choices (shoulder hanging, waist wearing) for convenient use

## Function Illustration



- ① Power switch : Press it long for 1 to 2 seconds for power on/off
- ② Power indicator: It will light green when the amplifier is power-on. If the battery voltage is low, it will turn red and glitter red when the battery voltage is too low, please recharge in time
- ③ Volume control: Press it for increasing volume
- ④ Volume control: Press it for reducing volume
- ⑤ Microphone input socket: Insert the microphone  $\varnothing$ 3.5mm plug into this socket. When speaking, do not point the microphone directly to amplifier, or it will cause howling
- ⑥ Aux input socket: Use the audio cable supplied by the amplifier to connect the music signal such as DVD, MP3 with the amplifier
- ⑦ Recharging indicator: Insert the charger to ⑧ socket, when it is being recharged, it is red; after fully recharging, it is green
- ⑧ Recharging input socket: Input the DC 10.6V/450mA power adapter plug to this socket for recharging
- ⑨ Hanging buckle
- ⑩ Back hook: When assembling, aim at it to the hooked part and press down. Turn clockwise to tighten it and turn anticlockwise to take out it

## Specification

Frequency Response: 80Hz-12kHz  
 Rated Audio Power: 5W  
 Max. Output Power: 12W

Output Impedance: 4 $\Omega$   
 Operating Voltage: DC 7.4V  
 Battery Specification: 7.4V lithium-ion battery  
 Power Adaptor: DC 10.6V $\overline{\text{---}}$ 450mA  
 Recharging Time: 4-6hrs  
 Playtime: about 8hrs  
 Dimension: 90 $\times$ 90 $\times$ 43mm  
 Net Weight: 265g

## Operation & Caution

1. This product has built-in low voltage protection function to extend the battery life. If power indicator lights red or glitters red, it means low battery voltage, loud volume may cause power off for protection, please recharge in time
2. Aim at the headworn mic capsule when speaking and keep the distance between vocal and mic as 1-2cm to avoid howling
3. Wear the headworn microphone correctly and adjust the suitable microphone pick-up angle to avoid howling
4. Adjust the volume according to the actual space size
5. Don't insert external audio signal such as DVD or MP3 into the MIC socket to avoid distortion due to extreme high voice
6. Recharge by using the DC 10.6V/450mA power adapter provided along with the product for best recharging performance
7. Non-professional technician is not allowed to disassemble and modify or repair the device. Please contact your local agent if you need service or have any question
8. Please fully charge the battery to assure its service life if the device will not be used for a long time or the battery voltage is low
9. Do not expose the battery or battery pack to extremely hot environment such as sunlight or fire etc
10. Caution: improper replacement of battery or battery pack is likely to cause an explosion, user can only use the same or equivalent type of battery to replace the original one and should pay attention to the battery polarity
11. Warning: it's forbidden to connect the battery in reverse, to short circuit or hit the battery violently, to use the battery as a child's toy. Do not use other charging equipment to charge the battery of this device, do not use the device to charge other battery, improper use may cause a risk of explosion. Do not charge a non-rechargeable battery
12. Put the device and its accessories in a dry and ventilated place, keep them from rain, water, avoid falling down heavily and don't cover the ventilation hole
13. Put the used battery in a designated trash can or send it back to the manufacturer to protect the environment
14. Keep the power adapter or charger handy, unplug it from the power socket if you are not going to use it for a long time



The device and its accessories can only be used safely in the areas below an altitude of 2000 meters



The device and its accessories can only be used safely in non-tropical regions

## Standard Configuration



## Application

Teaching, tour guiding, training, etc