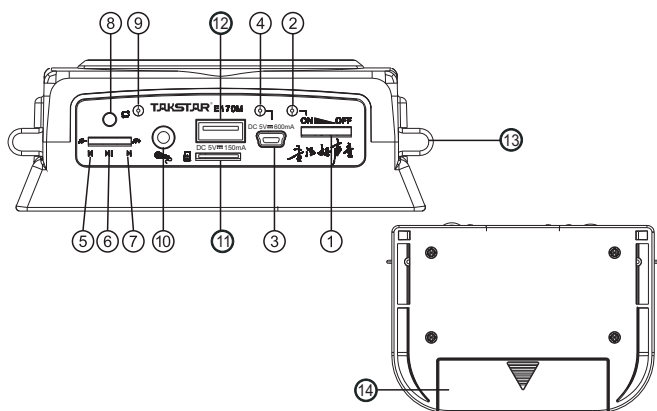


欢迎使用 TAKSTAR 便携式多媒体扩音器。本产品是专为教学、宣传和参观等设计的，采用PO²数字功率合成技术，提供更长久的电池使用时间和更大输出功率，是教学、宣传的理想选择。在使用之前，请仔细阅读说明书，以便能正确的操作，发挥本扩音器的理想性能。

产品特性

- 采用PO²数字功率合成技术，提供高达8W的音频功率输出
- 选用稀土材料扬声器，重量更轻、音质更好、声音更大
- 具有单曲循环、音乐播放功能，支持U盘、TF储存卡的多媒体音频文件播放
- 采用LOW-THD自适应技术，在大功率输出时也不会产生明显的声音失真
- 内置大容量锂电池，以及MCU充电管理系统，使用安全可靠，充电只需5小时，使用时间可达8-12小时
- 壳体采用ABS工程原料，坚固耐磨
- 产品外观设计时尚，具有肩挂及腰挂等多种佩戴方式，使用更方便

控制面板功能示意图



- ① 电源开关：向左转动旋钮，听到“滴”一声，表示扩音器已通电，此时电源指示灯②亮，继续向左转动旋钮声音越大，反之，声音越小直至关机
- ② 电源指示灯：正常开机后，此灯亮绿色，当电量不足时此灯亮红色
- ③ 电源适配器输入插孔：将DC 5V直流电源插入此孔进行充电
- ④ 充电指示灯：充电时此灯亮红色；充电饱和后，此灯亮绿色
- ⑤ 上一曲按键 **⏮**：向左轻轻推动旋钮为上一曲；向左推动并按住此键可减小音乐音量
- ⑥ 播放/暂停按键 **⏸**：按此键可控制音乐的播放与暂停
- ⑦ 下一曲按键 **⏭**：向右轻轻推动旋钮为下一曲；向右推动并按住此键可增大音乐音量
- ⑧ 音乐循环按键：按此键设定与取消当前音乐目的循环播放状态
- ⑨ 循环播放指示灯：当按下音乐循环按键⑧时，此灯常亮，表示已进入单曲循环模式
- ⑩ MIC IN 输入插孔：将头戴式麦克风插头插入此孔，进入扩音工作状态
- ⑪ TF 内存卡插口：根据示意的插卡方向插入TF 内存卡，插入时，听到“嗒”一声，表示已安装到位并将其锁住；取卡时只要将卡往下按，听到“嗒”一声，TF 内存卡会自动弹出来
- ⑫ USB移动内存插孔：可支持大容量U盘
- ⑬ 肩挂扣
- ⑭ 电池仓：内置一节大容量锂离子电池

使用说明

1. 将电池按正确的标示装入电池仓内
2. 将头戴麦克风正确的佩戴在头部，并调整好麦克风的拾音角度
3. 将Ø3.5mm的麦克风插头插入麦克风输入孔内
4. 打开电源，电源指示灯亮，调整音量到合适的音量大小
5. 使用过程中，若电量指示灯亮红色时，表示电池低电量，请及时充电

注意事项

1. 请不要将外部的音源信号（如DVD、MP3等）从MIC插孔输入，以免声音幅度过大而失真

2. 为了达到良好效果，请对准头戴麦克风的咪芯（1-2cm）处发音，以防方向不正引起啸叫
3. 非专业技术人员请不要擅自拆机改装或维修；如有问题或服务需求请联系当地经销商
4. 低电量或长时间不使用时应将电池充满电，以确保电池的使用寿命
5. 请勿将电池或电池组放在日照、火烤等类似过热环境中
6. **注意**：电池或电池组更换不当会有爆炸危险，只能用同样类型或等效类型的电池来更换并注意电池极性
7. **禁止**：禁止电池反接，短路，猛烈撞击和作为儿童玩具；不能使用其他充电装置为本机电池充电，也不能用本机为其他的电池充电，使用不当会有爆炸危险；禁止对非充电电池充电
8. 整机及配件都应放置在室内干燥通风处，避免雨淋、水滴、进水、重摔及覆盖通风孔
9. 为保护环境，请将废弃电池放入指定的分类垃圾桶或寄回给生产商，不可直接丢弃
10. 应保持电源或充电适配器的操作方便。长时间不用时，请将适配器从电源插座中拔出



仅适用于海拔2000米以下地区使用



仅适用于非热带气候条件下使用

技术参数

- 频率响应：80Hz-12kHz
- 额定输出功率：6W
- 峰值输出功率：8W
- 扬声器阻抗：4Ω
- 工作电压：3.7V
- 电池规格：3.7V/2000mAh锂离子电池
- 充电器规格：DC 5V=600-750mA
- USB输出：DC 5V=150mA
- 使用时间：8-12小时
- 充电时间：4-6小时
- U盘和TF卡：支持到16G

标准配置

		
扩音器	HM-700头戴麦克风	适配器 (赠送)
		
锂电池	肩带	说明书

适用场合

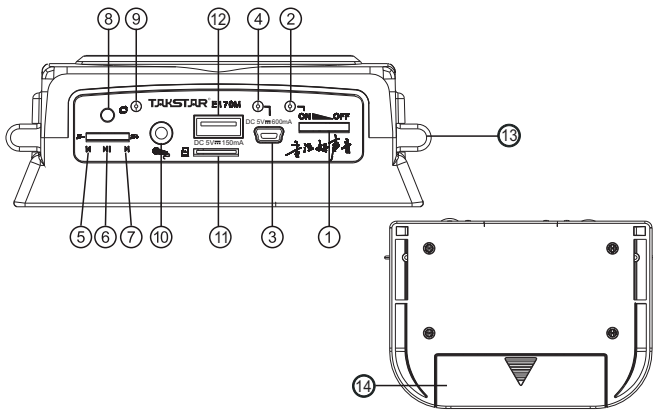
- 教学、导游、宣传、参观、晨练健身等场合扩音

Welcome to use TAKSTAR portable multimedia amplifier, this product is specially designed for teaching, promotion and tour guiding. Adopts PO² digital power synthetic technology provides long operating time and high output power, it is an ideal choice for teaching and promotion. Please read this manual detailedly before using to exert the best performance.

Features

- Adopts PO² digital power synthetic technology, high output power up to 8W
- Rare earth material speaker features light weight, excellent sound quality and loud output volume
- With music play and single cycle function, supports the multimedia audio files play of U disk/ TF card
- LOW-THD adaptive technology prevents sound distortion under high power output
- Built-in high capacity lithium-ion battery and MCU intelligent recharging management system for secure recharge/discharge, 5 hours fast recharging time and long play time up to 8-12 hours
- Durable ABS housing, compact and stylish design
- Multiple wearing choices for convenient use

Control Panel Function Diagram



- ① Power Button: turn the button to the left till one “di” sound is heard, it means the amplifier is turned on and the power indicator ② lights up. Continue rotating the button to the left, the more the sound is louder, conversely rotate the button, the more the sound is lower, till it turns off
- ② Power Indicator: the indicator lights green when it normally turns on, the indicator lights red when the amplifier under the low battery capacity
- ③ Power Adaptor Input Port: connect the DC 5V power supply to this port for recharging
- ④ Recharging Indicator: the indicator lights red when the amplifier is charging, it turns to green when the amplifier is fully charged
- ⑤ Last Song Button: Gently tune the button to the left for last song, press and tune the button to the left to reduce the music volume
- ⑥ Play/Pause Button: press this button to play / pause the music
- ⑦ Next Song Button: Gently tune the button to the right for next song, press and tune the button to the right to increase the music volume
- ⑧ Cycle Playback Button: press the button for setting / cancel the cycle playback of the current play song
- ⑨ Cycle Playback Indicator: the indicator lights up when press the cycle playback button ⑧ the indicator keeps on when the amplifier under the single song loop playback mode
- ⑩ MIC IN Port: plug the headworn microphone into this port for sound amplifying mode
- ⑪ TF Card Slot: plug in the TF card according to the marked direction till a “da” sound is heard, it means it is locked in place; to take out the card, press the TF card downward till a “da” sound is heard, it will spring out automatically
- ⑫ USB Port: supports for large capacity USB disk
- ⑬ Shoulder Hanging Buckle
- ⑭ Battery Compartment: Built-in 1pc high capacity lithium-ion battery

Operating Instruction

1. Install the battery according to the correct polarity into the battery compartment
2. Correctly wear the headworn microphone on the head and adjust the pick up angle+
3. Plug the Φ 3.5mm connector of the microphone into the microphone input port
4. Turn on the amplifier, the power indicator lights up, adjust the volume to an appropriate level
5. If the power indicator lights red during use, it means the battery capacity is low and need recharge timely

Caution

1. Please do not input the external sound source such as DVD/MP3 from MIC port, avoid large sound level cause distortion
2. For best performance, please point the capsule of the headworn microphone 1-2cm for sound, avoid incorrect pick up direction cause howling
3. Non-professional technician is not allowed to disassemble and modify or repair the device. Please contact your local agent if you need service or have any question
4. Please fully charge the battery to assure its service life if the device will not be used for a long time or the battery voltage is low
5. Do not expose the battery or battery pack to extremely hot environment such as sunlight or fire etc
6. Caution: improper replacement of battery or battery pack is likely to cause an explosion, user can only use the same or equivalent type of battery to replace the original one and should pay attention to the battery polarity
7. Warning: it's forbidden to connect the battery in reverse, to short circuit or hit the battery violently, to use the battery as a child's toy. Do not use other charging equipment to charge the battery of this device, do not use the device to charge other battery, improper use may cause a risk of explosion. Do not charge a non-rechargeable battery
8. Put the device and its accessories in a dry and ventilated place, keep them from rain, water, avoid falling down heavily and don't cover the ventilation hole
9. Put the used battery in a designated trash can or send it back to the manufacturer to protect the environment
10. Keep the power adaptor or charger handy, unplug it from the power socket if you are not going to use it for a long time



The device and its accessories can only be used safely in the areas below an altitude of 2000 meters









The device and its accessories can only be used safely in non-tropical regions

Specification

- Frequency Response: 80Hz-12kHz
- Rated Output Power: 6W
- Max. Output Power: 8W
- Speaker Impedance: 4 Ω
- Operating Voltage: 3.7V
- Battery Specification: 3.7V/2000mAh lithium-ion battery
- Power Adaptor Specification: DC 5V \pm 600-750mA
- USB Output: DC 5V \pm 150mA
- Playtime: 8-12hrs
- Recharging Time: 4-6hrs
- USB disk/ TF Card: Max. 16G

Product Contents

		
Speaker 1pc	HM-700 Headworn Microphone 1pc	Power Adaptor 1pc (Free Part)
		
Lithium-ion Battery 1pc	Shoulder Strap 1pc	User Manual 1pc

Applications

- Teaching, tour guide, promotion, morning exercise

Designed & Manufactured by:

Guangdong Takstar Electronic Co., Ltd.

Address: No. 2 Fu Kang Yi Rd., Longxi Boluo Huizhou Guangdong, 516121China

International Sales:

Tel: +86 752 6383644

Email: sales@takstar.com

Website: www.takstar.com