

尊敬的用户:

感谢您选购TAKSTAR E180M便携式数字扩音器,为了您能够更好的了解使用本产品,建议您在使用前仔细阅读本说明书。

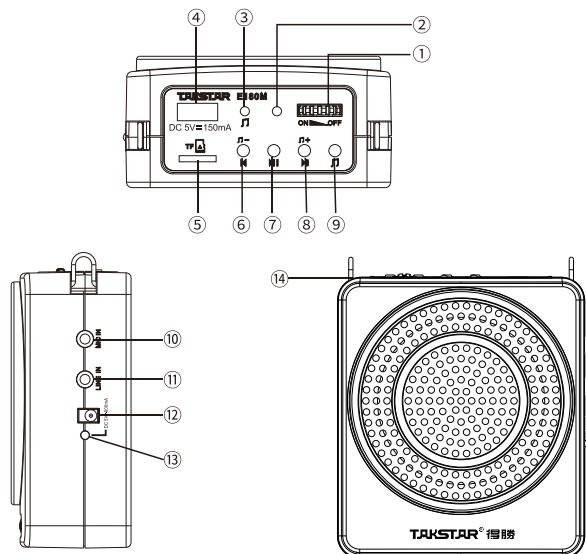
若存在有疑问或者您有宝贵的建议,可通过拨打得胜官方服务热线 400 6828 333 或使用微信扫描二维码关注得胜官方公众号与我们联系。



产品特性

- 数字扩音技术, 10W音乐功率输出
- 具有音乐播放功能, 支持U盘、TF存储卡上的多媒体音频文件播放
- 采用LOW-THD自适应技术, 在大功率输出时也不会产生明显的声音失真
- 内置大容量持久型锂离子电池, 可循环充电使用, 节能环保
- 内置MCU充电管理系统, 具有电池保护功能, 使电池处于安全可靠的模式下使用; 充电只需4-6小时, 使用时间可达20小时以上
- 具有AUX音频信号输入功能, 可做有源音箱使用
- 壳体采用ABS工程原料压铸, 坚固耐用
- 产品外观设计时尚, 具有肩挂及腰挂等多种佩戴方式, 使用方便

控制面板功能示意图



- ① 电源开关和音量调整旋钮: 向左转动旋钮, 听到“嘀”一声, 表示扩音器已通电, 此时电源指示灯②亮, 继续向左转动旋钮声音增大, 反之, 声音减小直至关机
- ② 电源指示灯: 当扩音器通电时, 此灯会亮。绿灯表示高电压, 红灯表示低电压, 当此灯亮红灯时, 请及时为电池充电
- ③ 音乐播放指示灯: 音乐播放时, 此灯闪烁
- ④ U盘插孔: 将存放有音乐文件的U盘插入此孔
- ⑤ TF内存卡插口: 根据示意图示方向插入存有音乐文件的TF内存卡, 插入时, 听到“嗒”一声, 表示已安装到位并将其锁住; 取卡时只要将卡往下按, 听到“嗒”一声, TF内存卡会自动弹出来
- ⑥ 音乐功能按键: **⏮**、**⏪** 为上一曲, 长按此键可以单独调小音乐播放音量, 满足讲解时做背景音乐
- ⑦ 播放/暂停按键: **⏸** 按此键可以控制音乐的播放与暂停
- ⑧ 音乐功能按键: **⏩**、**⏭** 为下一曲, 长按此键可以单独增大音乐播放音量, 满足讲解时做背景音乐
- ⑨ 音乐播放切换键: **⏹** 按此键可以对音乐播放开关进行控制, 麦克风在上述模式中同步使用
- ⑩ MIC IN 输入插孔: 将ø3.5mm的麦克风插头插入此孔, 进入扩音工作状态; 操作时, 请不要将麦克风的拾音面朝向扩音器的扬声器, 以免产生啸叫
- ⑪ LINE IN 输入插孔: 用ø3.5mm插头的音频线将DVD、MP3等音乐信号导入本机可做有源音箱使用

- ⑫ 充电输入插孔: 将USB充电线插入此孔, 另一端连接通用的USB输出充电器(如手机充电器、电脑USB接口等), 即可对电池进行充电
- ⑬ 充电指示灯: 将USB充电线插入⑫孔内时, 指示灯亮, 表示电池进入充电状态; 指示灯由红色变为绿色后, 表示电已充满
- ⑭ 肩挂扣

技术参数

频率响应: 80Hz-12KHz
 峰值输出功率: 10W
 扬声器阻抗: 4Ω
 工作电压: 3.7V
 电池规格: 3.7V/2000mAh 锂离子电池
 充电器规格: DC 5V 600mA
 充电时间: 4-6小时
 使用时间: ≥20小时
 U盘和TF卡: 支持到32G
 产品规格: 86×98×46mm
 单机重量: 350g

注意事项

为避免电击、过高温、着火、辐射、爆炸、机械危险以及使用不当等可能造成的人身伤害或财产损失, 使用本产品, 请仔细阅读并遵守以下事项:

1. 使用产品时请确认所连接设备与本产品功率是否匹配以及合理调整音量大小, 不要在超过产品功率及大音量下长时间使用, 以免造成产品异常和耳朵听力损伤;
2. 使用中若发现有异常(如冒烟、异味等), 请立即关闭电源开关并拔掉电源插头, 然后将产品送经销商检修;
3. 本产品及配件都应放置在室内干燥通风处, 勿长期存放在潮湿、灰尘多的环境, 使用中避免靠近裸露火源、碰到液体物质、雨淋、产品进水、过度碰撞、抛掷、振动本机及覆盖通风孔, 以免损坏其功能;
4. 若产品需要固定于墙壁或天花板上时, 请确保固定到位, 防止因固定强度不足导致产品发生跌落危险;
5. 使用该产品时需遵守相关安全规定, 法律法规明确禁止使用场合请勿使用本机, 以免导致意外事故;
6. 请不要自行拆机改装或维修, 以防止出现人身伤害, 如有问题或服务需求请联系当地经销商跟进处理;
7. 本产品适用的海拔及气候条件由选用的供电设备决定。

标准配置



适用场合

教学、导游、培训、促销、宣传、晨练、娱乐等场合扩音用



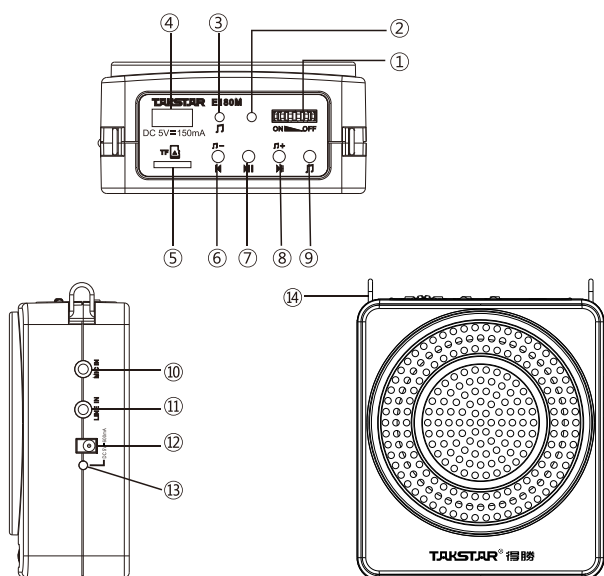
Dear User:

Thank you for purchasing TAKSTAR E180M Digital Amplifier. Please read the user manual before operation and keep it for reference in future.

Features.....

- Digital circuitry technology, 10W output power
- Music play function supports multimedia audio file play of USB flash disk and TF card
- LWO-THD Automatic Adaptive Technology features low distortion even at high output power
- Built-in high capacity rechargeable lithium-ion battery
- Built-in MCU intelligent recharging management system for secure battery charging and discharging, fast charging time (4-6hrs) and long play time (more than 20hrs)
- With AUX audio signal input function, as a small speaker
- Exquisite and durable design
- Choices of waist or shoulder hanging wear style for convenient use

Function Illustration.....



- ① Power switch with volume control: Turn the wheel ① to the left until you hear a clicking sound “Di”, the amplifier is now switched on and the power LED ② will light, turn left for louder voice, turn right for lower voice until power off
- ② Power indicator: It will light green when the amplifier is power-on. If the battery is low, it will turn red, please recharge the battery in time
- ③ Music play indicator: It will glitter when playing the music
- ④ USB port: Plug in the USB disk which has stored the music files
- ⑤ TF card port: Please insert the TF card according to the direction of the illustration, when you hear “Da” after you insert it, it means the card is fixed; when you want to take out the card, just press it and the card will come out automatically with a sound “Da”
- ⑥ Press **⏮**、**⏪** - for previous song, press **⏮**、**⏪** - long for volume reduction.
- ⑦ Press **⏸** for play/pause function
- ⑧ Press **⏭**、**⏩** + for next song, press **⏭**、**⏩** + long for volume increase
- ⑨ Music play button: press this button can turn on/off the music, the microphone can be used at the same time
- ⑩ Microphone input socket: insert the microphone $\Phi 3.5\text{mm}$ plug into this socket; do not point the microphone directly to amplifier, or it will cause howling
- ⑪ Line input socket: Plug signal such as DVD, MP3 into the LINE IN socket with a $\Phi 3.5\text{mm}$ audio cable, the amplifier will be used as a speaker
- ⑫ Charging input connector: connect USB charging cable with this connector, and the other end with USB output charger (e.g. cell phone charger, PC USB interface, etc) to recharge the battery

- ⑬ Charging LED: plug USB charging cable into connector ⑫, and the charging LED lights up. This means the battery is being recharged. When the charging LED turns green, the battery is recharged fully
- ⑭ Hanging buckle

Specification.....

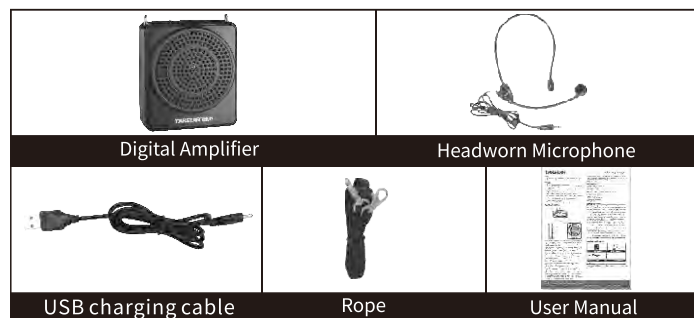
Frequency Response: 80Hz-12KHz
 Output Power: 10W
 Output Impedance: 4 Ω
 Operating Voltage: 3.7V
 Battery specification: 3.7V/2000mAh lithium-ion battery
 Charger: DC 5V \approx 600mA
 Recharging Period: 4-6hrs
 Playtime: \geq 20hrs
 USB disk and TF card: Max. 32G
 Dimension: 86 \times 98 \times 46mm
 Net Weight: 350g

Caution.....

To avoid personal injury or property loss caused by electric shock, over temperature, fire, radiation, explosion, mechanical risk and improper use, please read carefully and abide by the following items before operation:

1. Please check if the power of the connected equipment matches with that of this product before operation. Adjust the volume to proper level during operation. Do not operate at over-power or high volume level for a long time to avoid abnormal functioning or hearing loss.
2. If abnormal phenomenon (smoke, abnormal smell) happens, please turn off the power switch and disconnect the power plug with power socket, and send the product to local dealer for maintenance.
3. The product and accessories should be put in dry and ventilated place rather than humid or dusty environment. Prevent the product from fire, liquid, rain, water, over-colliding, throwing, vibrating, vent hole covered to avoid function damage.
4. When the product needs to be installed on wall or ceiling, please fix it tightly to avoid dropping risk.
5. Please abide by safety rules during operation. Do not use the product in the place prohibited by regulation or law to avoid accident.
6. Do not disassemble or repair the product by yourself to avoid personal injury. If you have question or need service, please contact the local dealer.
7. The applicable altitude and climate condition of this product is subject to the power supply equipment.

Standard Configuration.....



Application.....

Teaching, tour guiding, training, selling, morning exercise, entertainment, presentation