

尊敬的用户：

感谢您选购得胜E188M升级版扩音器，为了您能够更好的了解使用本产品，建议您在使用前仔细阅读本说明书。

若存在有疑问或者您有宝贵的建议，可通过拨打得胜官方服务热线400 6828 333或使用微信扫描二维码关注得胜官方公众号与我们联系。



■ 产品特性

- 集麦克风、播放器为一体的便携式多媒体扩音器
- 选用稀土材质扬声器，重量轻、音质好、声音大
- 具有无线音乐播放功能，支持U盘、TF储存卡的多媒体音频文件播放
- 内置大容量持久型锂离子电池，为该产品提供高电能的同时，减少废弃物的产生
- 采用Class D 数字功放模块，低功耗高效率，能输出高达8W的音乐功率
- 内置大容量持久型锂离子电池，充电约4小时，使用时间可达10小时以上
- 产品符合人体工学原理设计，造型新颖，外观时尚，使用舒适

■ 标准配置

便携式扩音器	1台
头戴麦克风	1个
腰挂扣	1个
USB充电线	1条
绑带	1条
说明书	1份

■ 适用场合

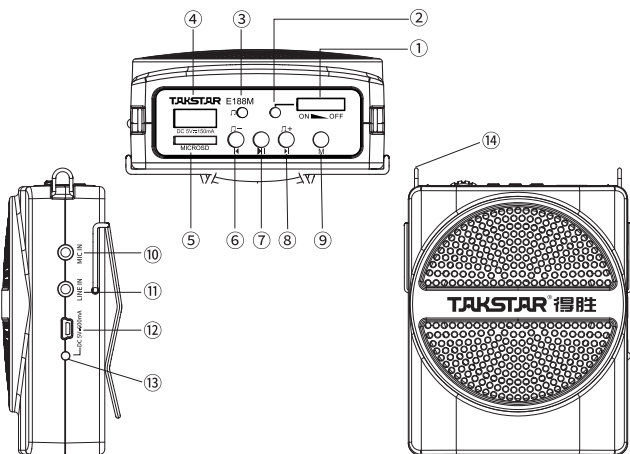
- 教学、导游、培训、促销、宣传、晨练、娱乐等场合扩音用

■ 技术参数

- 频率响应：150Hz-12KHz
- 峰值功率：8W THD+N<10%
- 扬声器阻抗：4Ω
- 工作电压：DC≐3.5-4.2V
- 驻极体头戴话筒规格：-49至-52dB
- 电池规格：18650单节 3.7V≐2000mAh
- 充电器规格：DC 5V ≐ 600mA
- 充电时间：约4小时
- 使用时间：≥10小时
- TF卡：支持64G以下
- 媒体格式：MP3、WAV、WMA
- 蓝牙版本：5.0
- 使用距离：约10米
- 单机重量：220g
- 产品规格：99x81x38mm

注：以上数据由得胜实验室测试得到，并拥有最终解释权！

■ 控制面板功能示意图



- ① 电源开关和音量调整旋钮：向左转动旋钮，听到“滴”一声，表示扩音器已通电，此时电源指示灯②亮，继续向左转动旋钮声音增大，反之，声音减小直至关机
- ② 电源指示灯：当扩音器通电时，此灯会亮。绿灯表示高电压，红灯表示低电压，当此灯亮红灯时，请及时为电池充电

- ③ 音乐播放指示灯：音乐播放时，此灯闪烁
- ④ U盘插孔：将存放有音乐文件的U盘插入此孔
- ⑤ TF卡插口：根据标示方向插入存有音乐文件的TF卡，插入时，听到“嗒”一声，表示已安装到位并将其锁住；取卡时只要将卡往下按，听到“嗒”一声，TF卡会自动弹出来
- ⑥ 上一曲按键 **⏮**：短按此键为上一曲，长按此键可以减小音乐音量
- ⑦ 播放/暂停按键 **⏸**：按此键可以控制音乐的播放与暂停
- ⑧ 下一曲按键 **⏭**：短按此键为下一曲，长按此键可以增大音乐音量
- ⑨ 功能切换键 **M**：U盘/TF卡、蓝牙、外接音频输入模式切换
- ⑩ MIC IN 输入插孔：将ø3.5mm的麦克风插头插入此孔，进入扩音工作状态；操作时，请不要将麦克风的拾音面朝向扩音器的扬声器，以免产生啸叫
- ⑪ LINE IN 输入插孔：用ø3.5mm插头的音频线将DVD、MP3等音乐信号导入本机可做有源音箱使用
- ⑫ 充电输入插孔：将USB充电线插入此孔，另一端连接通用的USB输出充电器（如手机充电器、电脑USB接口等），即可对电池进行充电
- ⑬ 充电指示灯：将USB充电线插入⑫孔内时，指示灯亮，表示电池进入充电状态；指示灯由红色变为绿色后，表示电已充满
- ⑭ 肩挂扣

■ 安全警示

为避免电击、高温、着火、辐射、爆炸、机械危险以及使用不当等可能造成的人身伤害或财产损失，使用本产品前，请仔细阅读并遵守以下事项：

1. 使用产品时请确认所连设备与本产品是否匹配以及合理调整音量大小，不要在超过产品功率及大音量下长时间使用，以免造成产品异常；
2. 使用中若发现有异常（如冒烟、异味等），请立即关闭电源开关并拔掉电源插头，然后将产品送售后服务网点检修；
3. 本产品及配件都应放置在室内干燥通风处，请勿长期存放在潮湿、灰尘多的环境，使用中避免靠近火源、雨淋、进水、过度碰撞、抛掷、振动本机及覆盖通风孔，以免损坏其功能；
4. 若产品需要固定于墙壁或天花板上时，请确保固定到位，防止因固定强度不足导致产品发生跌落危险；
5. 使用该产品时需遵守相关安全规定，法律法规明确禁止使用场合请勿使用本产品，以免导致意外事故；
6. 请不要自行拆机改装或维修，以防止出现人身伤害，如有问题或服务需求请联系当地售后服务网点跟进处理。

产品服务保证书

注意事项：

1. 本单为保修凭证，请用户妥善保管，如有遗失，恕不保修或退换。
2. 保修期限：购买之日起十二个月内。
3. 除了不可抗力事件损坏外，由本公司负责，免费维修。
4. 如属保管不善或使用不当造成的损坏，维修点将酌情收费。
5. 擅自拆卸维修者，不予保修。
6. 以上保修条款仅限于中国市场适用（不包含港澳台地区）。

姓名：_____ 电话：_____ 地址：_____

商品：_____ 型号：_____ 购买日期：_____年__月__日

维修记录栏(由维修员填写)	维修员签名	日期

◆ 广东得胜电子有限公司 ◆ 电话：400-6828-333 ◆ 地址：广东省惠州市博罗县龙溪街道富康一路2号

※本产品相关规格如有变更恕不另行通知。

CMIT ID: 2019DP1948 中国制造



Dear Customer,

Thank you for purchasing TAKSTAR E188M (Updated Version) Portable Amplifier. Please read the user manual carefully before operation and keep it for reference in future. If you have any question or suggestion, please contact our local dealer.

■ Features

- The portable multimedia amplifier combining microphone, player together
- Rare earth material speaker, light weight, wonderful sound, high volume
- Wireless music playing function plays the multimedia audio files in USB stick or TF card
- High capacity Li-ion battery provides sufficient power supply
- Class D power amplifier module, low power consumption, high efficiency, output music power up to 8W
- 4 hours of recharging lasts for more than 10 hours of operation
- Ergonomic design, innovative and fashionable contour, comfortable operation

■ Product Content

Portable amplifier.....	1pc
Headphone.....	1pc
Belt clip.....	1pc
USB charging cable.....	1pc
Strap.....	1pc
User Manual.....	1pc

■ Application

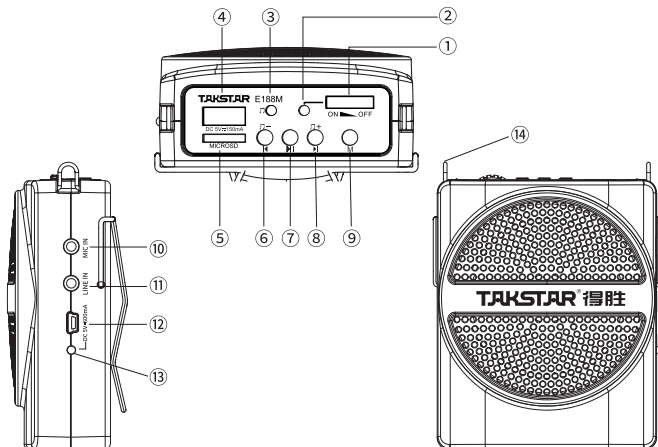
- Teaching, tour guide, training, promotion, propaganda, morning exercise, entertainment

■ Specification

- Frequency Response: 150Hz-12KHz
- Peak Power: 8W THD+N<10%
- Speaker Impedance: 4Ω
- Operation Voltage: DC \approx 3.5-4.2V
- Headphone Electret Microphone: -49 to -52dB
- Battery Specification: 18650 one battery 3.7V \approx 2000mAh
- Charger Specification: DC 5V \approx 600mA
- Charging Time: approximate 4h
- Operation Time: \geq 10h
- TF Card: max 64G
- Media Format: MP3, WAV, WMA
- Bluetooth Version: 5.0
- Operation Range: approximate 10m
- Net Weight: 220g
- Dimension: 99x81x38mm

Note: The data is tested by Takstar Laboratory, and Takstar has the final interpretation right!

■ Function Illustration



① Power switch and volume knob: turn the knob to left. When you hear the sound "Dee", the amplifier is powered on and power LED ② lights up. Continue to turn the knob left to increase the volume. Turn the knob right to decrease the volume till turn off the amplifier.

- ② Power LED: when the amplifier is powered on, this LED lights up. Lighting up green means high power voltage, and red means low. Please recharge in time.
- ③ Music playing LED: during music playing, this LED flashes.
- ④ USB interface: insert USB stick of music files into this interface.
- ⑤ TF card port: insert the TF card according to the direction of the illustration. When you hear the sound "Da" after you insert it, it means the card is fixed. When you want to take out the card, just press it and the card will come out automatically with a sound "Da".
- ⑥ Previous song button **K**: shortly press it for previous song. Keep pressing it for decreasing music volume.
- ⑦ Play/pause button **||**: press this button to play/pause the music playing.
- ⑧ Next song button **M**: shortly press it for next song. Keep pressing it for increasing music volume.
- ⑨ Function switching button **M**: it is used to switch the audio input modes of USB stick/TF card, Bluetooth, external audio.
- ⑩ MIC IN input port: insert \varnothing 3.5mm microphone into this port for sound reinforcement. Keep the microphone cartridge against the speaker to avoid feedback.
- ⑪ LINE IN input port: use the audio cable of \varnothing 3.5mm plug to input music signal of DVD or MP3 to the amplifier. The amplifier is now used as active speaker.
- ⑫ Charging input port: connect one end of USB charging cable with this port, and the other end with USB charger (cell phone charger, PC USB interface, etc) to charge the battery.
- ⑬ Charging LED: plug USB charging cable into the port ⑫ and the charging LED lights up. This means the battery is being charged. When the LED turns red to green, this means the battery is charged fully.
- ⑭ Shoulder strap buckle.

■ Safety Instructions

To avoid electric shock, overheat, fire, radiation, explosion, mechanical risk and injury or property loss due to improper use, please read and observe the following items before use:

1. Please check if the power of the connected equipment matches with that of this product before operation. Adjust the volume to proper level during operation. Do not operate at over-power or high-volume level for extended time to avoid product malfunction.
2. If there is any abnormality during use (e.g., smoke, strange odor), please kill the power switch and unplug from power source, then send the product to the local after-sales service for repair.
3. Keep this product and its accessories in a dry and ventilated area. Do not store in a humid or dusty area for extended time. Keep away from fire, rain, liquid intrusion, bumping, throwing, vibrating, or from blocking any ventilation openings, to prevent malfunction.
4. The product must, when installed on walls or ceilings, be fixed firmly in place at adequate strength to prevent from falling.
5. Please abide by safety rules during operation. Do not use the product in places prohibited by laws or regulations to avoid accident.
6. Do not disassemble or repair the product by yourself to avoid injury. If you have any questions or require any services, please contact our local after-sales service.

产品中有毒有害物质或元素的名称及含量标识表

部件名称	有毒有害物质或元素					
	铅 (Pb)	汞 (Hg)	镉 (Cd)	六价铬 (Cr(VI))	多溴联苯 (PBB)	多溴二苯醚 (PBDE)
塑料部件	○	○	○	○	○	○
金属部件	×	○	○	○	○	○
电路板组件	×	○	○	○	○	○
线缆	×	○	○	○	○	○

本表格依据SJ/T 11364的规定编制。
 ○: 表示该有害物质在该部件所有均质材料中的含量均在GB/T 26572规定的限量要求以下。
 ×: 表示该有害物质至少在该部件的某一均质材料中的含量超出GB/T 26572规定的限量要求。

此标志为产品的环保使用期限标志,
 且此环保使用期限只适用于产品正常工作的温度和湿度等条件。

※ The product specification is subject to change without prior notice. CMIIT ID: 2019DP1948 Made in China