

欢迎使用EBS-8系列防水音柱,使用前请你仔细阅读说明书,以便能正确的操作使用。

若存在疑问或你有宝贵的建议,可通过拨打得胜官方服务热线 400 6828 333 或微信扫描二维码关注得胜官方公众号与我们联系。



产品特性

- 专业防水、防潮、防尘设计,密封性强,满足全天候室外使用需求
- 高保真喇叭单元搭配,响应瞬息,声音通透亮丽,覆盖范围更远
- 全铝合金音箱外壳,安装美观大方,经久耐用,不易褪色变形

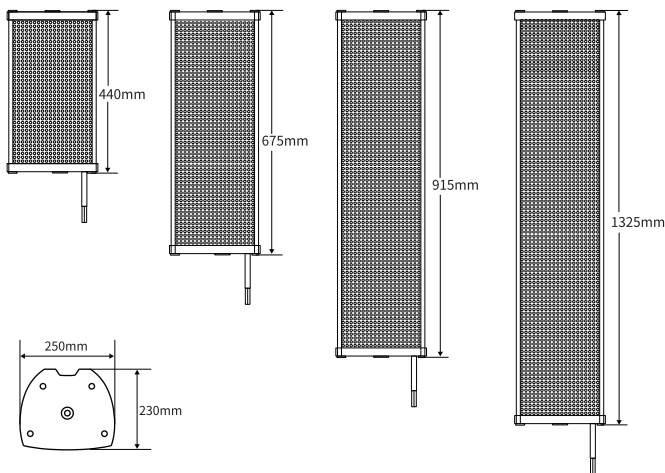
适用场合

适合在各种户外场合(操场,广场,车站,公园等)壁挂全天候使用

技术参数

产品型号	EBS-812		EBS-824		EBS-836		EBS-848	
输入电压	70V	100V	70V	100V	70V	100V	70V	100V
功率(红-蓝)AES	30W	60W	60W	120W	90W	180W	120W	240W
功率(红-白)AES	60W	120W	120W	240W	180W	360W	240W	480W
灵敏度	92dB		95dB		97dB		98dB	
频率响应	80-18kHz							
低音扬声器	8"单元		8"单元×2		8"单元×3		8"单元×4	
高音扬声器	25芯树脂膜号角高音						25芯树脂膜号角高音×2	
产品尺寸	440x250x230mm		675x250x230mm		915x250x230mm		1325x250x230mm	
产品重量	约6.9kg		约10.4kg		约13.5kg		约19.2kg	

产品尺寸图



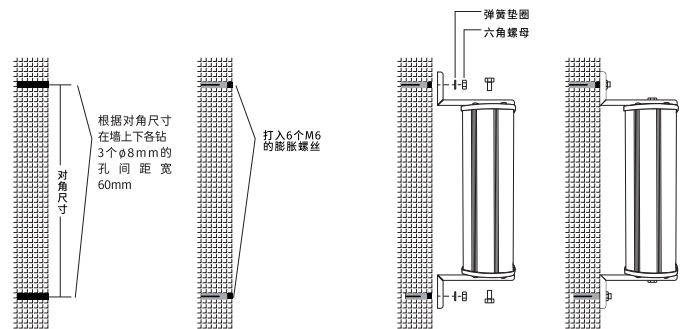
产品图示



产品安装

步骤1

步骤2



安全警示

为避免电击、高温、着火、辐射、爆炸、机械危险以及使用不当等可能造成的人身伤害或财产损失,使用本产品,请仔细阅读并遵守以下事项:

1. 使用产品时请确认所连接设备与本产品功率是否匹配以及合理调整音量大小,不要在超过产品功率及大音量下长时间使用,以免造成产品异常和听力损伤;
2. 使用中若发现有异常(冒烟、异味等),请立即关闭电源开关并拔掉电源插头,然后将产品送经销商检修;
3. 本产品及配件都应放置在室内干燥通风处,勿长期存放在潮湿,灰尘多的环境,使用中避免靠近火源、雨淋、进水、过度碰撞、抛掷、振动本机及覆盖通风孔,以免损坏其功能;
4. 若产品需要固定于墙壁或天花板上时,请确保固定到位,防止因固定强度不足导致产品发生跌落危险;
5. 使用该产品时需遵守相关安全规定,法律法规明确禁止使用场合请勿使用本机,以免导致意外事故。

产品服务保证书

注意事项:

1. 本单为保修凭证,请用户妥善保管,如有遗失,恕不保修或退换。
2. 保修期限:购买之日起十二个月内。
3. 除了不可抗力事件损坏外,由本公司负责,免费维修。
4. 如属保管不善或使用不当造成的损坏,维修点将酌情收费。
5. 擅自拆卸维修者,不予保修。
6. 以上保修条款仅限于中国市场适用(不包含港澳台地区)。

姓名: _____ 电话: _____ 地址: _____
商品: _____ 型号: _____ 购买日期: _____ 年 _____ 月 _____ 日

维修记录栏 (由维修员填写)	维修员签名	日期

◆广东得胜电子有限公司 ◆电话: 400-6828-333 ◆地址: 广东省惠州市博罗县龙溪街道富康一路2号



Thank you for purchasing EBS-8 Series Waterproof Column Speaker. In order to correctly use the device, please read the manual carefully.

If you have any questions or suggestions, please contact our local dealer.

■ Features

- Professional waterproof, moisture-proof, and dust-proof design for all-weather outdoor use.
- High-fidelity speaker with quick response, bright sound and far coverage. All-aluminum alloy casing, elegant, durable, not easy to discolor and deform

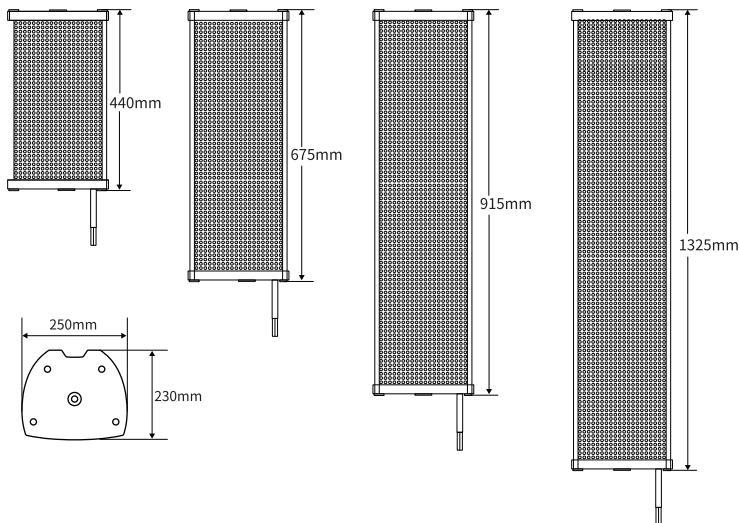
■ Applications

Various outdoor wall-mount applications (e.g., playgrounds, squares, stations, parks)

■ Technical Specifications

Model	EBS-812		EBS-824		EBS-836		EBS-848	
Input Voltage	70V	100V	70V	100V	70V	100V	70V	100V
Power (Red-Blue) AES	30W	60W	60W	120W	90W	180W	120W	240W
Power (Red-White) AES	60W	120W	120W	240W	180W	360W	240W	480W
Sensitivity	92dB		95dB		97dB		98dB	
Frequency Response	80-18kHz							
Woofer	8" driver		2 × 8" driver		3 × 8" driver		4 × 8" driver	
Tweeter	25mm voice coil resin film horn tweeter						2 × 25mm voice coil resin film horn tweeter	
Product Size	440x250x230mm		675x250x230mm		915x250x230mm		1325x250x230mm	
Product Weight	Approx. 6.9kg		Approx. 10.4kg		Approx. 13.5kg		Approx. 19.2kg	

■ Dimensions

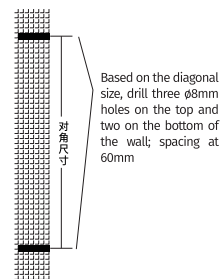


■ Product View

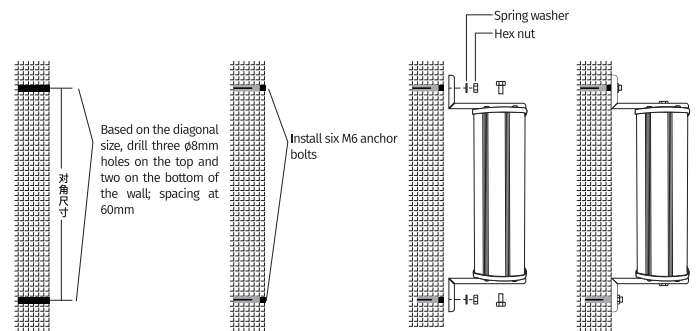


■ Installation

Step 1



Step 2



■ Safety Instructions

To avoid electric shock, overheat, fire, radiation, explosion, mechanical risk and injury or property loss due to improper use, please read and observe the following items before use:

1. Please check if the power of the connected equipment matches with that of this product before operation. Adjust the volume to proper level during operation. Do not operate at over-power or high-volume level for extended time to avoid product malfunction or hearing impairment.
2. If there is any abnormality during use (e.g., smoke, strange odor), please kill the power switch and unplug from power source, then send the product to the local dealer for repair.
3. Keep this product and its accessories in a dry and ventilated area. Do not store in a humid or dusty area for extended time. Keep away from fire, rain, liquid intrusion, bumping, throwing, vibrating, or from blocking any ventilation openings, to prevent malfunction.
4. The product must, when installed on walls or ceilings, be fixed firmly in place at adequate strength to prevent from falling.
5. Please abide by safety rules during operation. Do not use the product in places prohibited by laws or regulations to avoid accident.