

# TAKSTAR® 得胜

MS-580W1/MS-580W

## 无线会议麦克风

Wireless Conference Microphone



# MS-580W1/MS-580W无线会议麦克风

## ■ 前言

尊敬的用户：

感谢您选购得胜MS-580W/MS-580W1无线会议麦克风，为了您能够更好的了解使用本产品，建议您在使用前仔细阅读本说明书。

若存在有疑问或者您有宝贵的建议，可通过拨打得胜官方服务热线400 6828 333或微信扫描二维码关注得胜官方公众号与我们联系。



## ■ 产品特性

- 内置声卡无需安装驱动，即插即用，兼容Windows7及以上系统以及MAC Os系统
  - 双弯式咪管，360°自由调整角度
  - 采用单指向音头，拾音距离远
  - 自带背景噪声消除功能，有效屏蔽环境噪声，拾音更清晰
  - 具有音量调节旋钮，可根据使用的场合情况调整音量大小
  - 一键静音切换开关，随时开启或关闭声音信号，使用简单方便
  - 鹅颈式麦克风，无线USB接口，支持网课，录屏，直播，游戏电脑语音
  - 支持微信，QQ，YY，QT等主流即时通讯工具，远程会议流畅不卡顿
  - 底部设计防滑胶垫，防止麦克风滑动的同时也降低了桌面震动带来的影响
- 备注：MS-580W1是一拖一配置，且仅有A通道频率(550-567MHz)，参数功能同MS-580W。

## ■ 产品配置

会议麦克风	2个(MS-580W1只有1个)
无线USB接收器	1个
Type-c充电线(1m)	1条(MS-580W1为单口接口)
防风棉	2个(MS-580W1只有1个)
说明书	1份

# MS-580W1/MS-580W无线会议麦克风

---

## ■ 产品适用范围

适用于会议扩声、视频对话、游戏语音、录屏、直播等场合

## ■ 技术参数

### 系统指标：

- 麦克风指向模式：单指向
- 麦克风灵敏度：-42±2dB RL=0.68KΩ Vs=1.5V(1KHz 0dB=1V/Pa)
- 麦克风频率响应：20 Hz -16K Hz
- 耳机输出功率：MIC输入30MV 耳机输出 ≥480mW (at 32Ω load)
- 耳机输出总谐波失真：≤0.5% (at 1KHz/0dBFS)
- 耳机输出底噪：≤-85dBV (A-wt.)
- 工作电流：600mA DC:5V
- 单体重量：225g

### 接收机：

- 工作电压：USB 5V
- 最大电流：≤140mA (5V)
- 调试方式：FM调制
- CHA频率范围：A通道：550-567MHz (UHF) B通道：570-590MHz (UHF)
- 传输距离：>30m (无障碍环境)
- 接收灵敏度：90dbm ± 2dB
- Usb协议：Usb 全速2.0 usb Audio
- 工作频点：15个频点
- USB音频输出：60Hz-16kHz
- 产品重量：11.5g
- 外观尺寸 (±2mm)：77\*24\*9MM

## ■ 技术参数

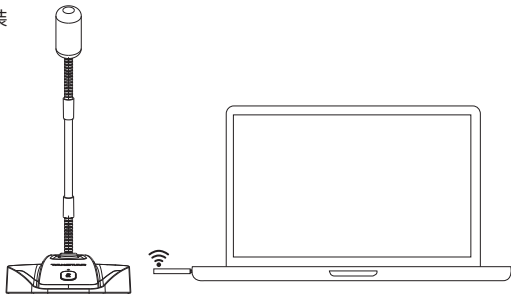
### 发射机:

- 工作电流: DC 3V-4.2
- 最大电流:  $\leq 90\text{mA}$  (3.7V)
- 电池类型: 聚合物锂电池1200MA(803440)
- 续航时间: 大约10小时
- 充电电流: 600mA
- 充电接口: Type-c 5V充电 (不支持快充)
- 调试方式: Fm调制
- CHA频率范围: A通道: 550-567MHz (UHF) B通道: 570-590MHz (UHF)
- 传输距离:  $>30\text{m}$  (无障碍环境)
- 芯片发射功率:  $16\text{dB} \pm 2\text{dB}$
- 咪芯灵敏度:  $-42 \pm 2\text{dB}$   $\text{RL}=0.68\text{K}\Omega$   $\text{Vs}=1.5\text{V}$  (1KHz 0dB=1V/Pa)
- 工作频点: 15个频点
- 麦克风音量调: 电位器调节麦克风音量
- 耳机输出功率: MIC输入30MV 耳机输出  $\geq 480\text{mW}$  (at 32 $\Omega$  load)
- 耳机输出频率响应: 150Hz-18kHz
- 产品净重: 约225g
- 外观尺寸 ( $\pm 2\text{mm}$ ): 117.91X107.02 X35.13mm

注: 以上数据由得胜实验室测试得到。

### ■ 使用说明(包含：安装连接方式/使用说明)

- ①将麦克风和电脑通过无线USB接收器连接起来，电脑将自动识别麦克风并完成驱动安装



- ② 驱动设置：

Windows：将系统喇叭的“录音”设备“TAKSTAR MS-580W-USB”设置为默认设备



## MS-580W1/MS-580W无线会议麦克风

MacOS: 进入系统偏好设备下的声音设置, 将输入设备选择为“TAKSTAR MS-580W-USB”



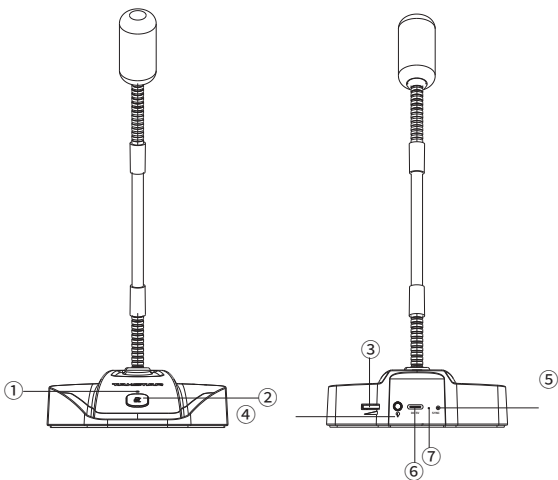
③ 将耳机或者有源音箱连接到麦克风背面的3.5mm接口

④ 开启视频会议软件、即时通讯软件或者录音软件, 即可进行网络会议、语音聊天、网络播音等。

(Windows系统下, 若电脑录音声音过大, 可以适当调小电脑录音设备的录音音量或调节麦克风音量旋钮降低音量即可)

## ■ 功能示意

- 1、静音指示灯（红绿双色灯）：指示灯常亮绿灯为拾音状态；绿灯闪烁为低电量状态（开启、静音状态灯维持，即开启绿灯闪烁，静音红灯常亮，绿灯闪烁）；常亮红灯为静音状态；红灯闪烁为对频状态（对频后默认静音，常亮红灯）；
- 2、静音开关：通过短按开关实现静音及拾音状态之间循环切换。短按静音开关，常亮绿灯为拾音状态；再短按静音开关，指示灯红灯常亮，则恢复静音状态；长按2s为开关机，指示灯熄灭或亮，开机默认静音；
- 3、音量调节旋钮：拾音状态下，逆时针拨动旋钮，麦克风音量逐渐增大；顺时针拨动旋钮，麦克风音量逐渐减小；
- 4、3.5mm接口：可接耳机或有源音箱；
- 5、Sync频道切换键：短按为切换频道，长按5s进入配对模式；
- 6、充电接口：通过Type-c数据线的为麦克风供电；
- 7、充电指示灯：充电时，指示灯常亮红灯，满电时，指示灯红灯熄灭。



### ■ 安全警示

为避免电击、高温、着火、辐射、爆炸、机械危险以及使用不当等可能造成的人身伤害或财产损失，使用本产品前，请仔细阅读并遵守以下事项：

1. 使用产品时请确认所连设备与本产品是否匹配以及合理调整音量大小，不要在超过产品功率及大音量下长时间使用，以免造成产品异常；
2. 使用中若发现有异常（如冒烟、异味等），请立即关闭电源开关并拔掉电源插头，然后将产品送售后服务网点检修；
3. 本产品及配件都应放置在室内干燥通风处，请勿长期存放在潮湿、灰尘多的环境，使用中避免靠近火源、雨淋、进水、过度碰撞、抛掷、振动本机及覆盖通风孔，以免损坏其功能；
4. 若产品需要固定于墙壁或天花板上时，请确保固定到位，防止因固定强度不足导致产品发生跌落危险；
5. 使用该产品时需遵守相关安全规定，法律法规明确禁止使用场合请勿使用本产品，以免导致意外事故；
6. 请不要自行拆机改装或维修，以防止出现人身伤害，如有问题或服务需求请联系当地售后服务网点跟进处理。



### ■ 关于图标含义解释



根据RL2004/108/EG和European Low Voltage Directive（欧洲低电压指令）RL2006/95/EG的测试结果表明，本产品符合欧共同体关于电磁兼容性的成员国法律整合的指令中所规定的限值。

### ■ 关于本说明书

本说明书中内容符合截止印刷之日的技术规格。由于得胜公司会不断改进产品，本说明书可能不符合您的特定产品的技术规格。要获取最新版说明书，请访问得胜官网，然后下载说明书文件。技术规格、设备或另售的附件在各个地区可能有所不同，如有问题请与当地得胜销售网点确认。如需更多支持和深层产品信息，请浏览得胜官方网站：<https://www.takstar.com>

# MS-580W1/MS-580W Wireless Conference Microphone

---

## ■ Preface

Dear Customer,

Thank you for purchasing Takstar MS-580W/MS-580 W1 Wireless Conference Microphone. In order to better understand and use the product, please read this manual thoroughly.

If you have any questions or suggestions, please contact our local dealer.

## ■ Features

- Built-in sound card, driver-free, plug-and-play, compatible with macOS and Windows 7 and above.
- Dual-section gooseneck, 360° pickup angle.
- Uni-directional capsule with long pickup distance.
- Built-in background noise cancellation function for clear pickup.
- On-board volume knob to adjust volume level on the fly.
- One-key mute switch to easily enable/disable mic at any time.
- Wireless gooseneck mic with USB receiver for online classes, screen recording, live broadcast, and game talks.
- Smooth teleconferencing via mainstream instant messengers such as WeChat, QQ, YY, and QQ Talk.
- Anti-slip bottom pad also reduces the impact of desktop vibration.

Note: MS-580W1 is same as MS-580W except that it is single channel (channel A only, 550-567MHz) and includes only 1 mic.

## ■ Package Contents

- 2 \* Conference Microphone (only 1 for MS-580W1)
- 1 \* USB Receiver
- 1 \* Type-C Y-Splitter Charging Cable (1m) (non-split for MS-580W1)
- 2 \* Windscreen (only 1 for MS-580W1)
- 1 \* User Manual

# MS-580W1/MS-580W Wireless Conference Microphone

---

## ■ Applications

Conferences, video calls, game talks, screen recording, live broadcast.

## ■ Specifications

### System Parameters:

- Mic Polar Pattern: unidirectional
- Mic Sensitivity:  $-42 \pm 2\text{dB RL}=0.68\text{K}\Omega$  Vs=1.5V (1KHz 0dB=1V/Pa)
- Mic Frequency Response: 20Hz -16kHz
- Headphone Output Power: MIC input 30MV;  
headphone output  $\geq 480\text{mW}$  (at 32 $\Omega$  load)
- Headphone Output THD:  $\leq 0.5\%$  (at 1KHz/0dBFS)
- Headphone Output Noise Floor:  $\leq -85\text{dBV}$  (A-wt.)
- Working Current: 600mA DC: 5V
- Weight: 225g

### Receiver:

- Working Voltage: USB 5V
- Maximum Current:  $\leq 140\text{mA}$  (5V)
- Modulation Method: FM modulation
- CHA Frequency Range: A channel: 550-567MHz (UHF);  
B channel: 570-590MHz (UHF)
- Transmission Distance: >30m (line of sight)
- Receiving Sensitivity: 90dbm  $\pm 2\text{dB}$
- USB Protocol: USB full speed 2.0 USB Audio
- Working Frequency: 15 frequency points
- USB Audio Output: 60Hz-16kHz
- Weight: 11.5g
- Dimensions ( $\pm 2\text{mm}$ ): 77\*24\*9mm

## ■ Specifications

### Transmitter:

- Working Current: DC 3V-4.2
- Maximum Current:  $\leq 90\text{mA}$  (3.7V)
- Battery Type: Li-polymer 1200mA (803440)
- Battery Life: about 10 hours
- Charging Current: 600mA
- Charging Interface: Type-C 5V charging (fast charging not supported)
- Modulation Method: FM modulation
- CHA Frequency Range: A channel: 550-567MHz (UHF);  
B channel: 570-590MHz (UHF)
- Transmission Distance: >30m (line of sight)
- Chip Transmit Power:  $16\text{db} \pm 2\text{dB}$
- Mic Sensitivity:  $-42 \pm 2\text{dB}$  RL=0.68K $\Omega$  Vs=1.5V( 1KHz 0dB=1V/Pa)
- Working Frequency: 15 frequency points
- Mic Volume Control: potentiometer
- Headphone Output Power: MIC input 30MV;  
headphone output  $\geq 480\text{mW}$  (at 32 $\Omega$  load)
- Headphone Output Frequency Response: 150Hz-18kHz
- Weight: about 225g
- Dimensions ( $\pm 2\text{mm}$ ): 117.91\*107.02\*35.13mm

Note: The above data are measured by Takstar laboratory.

# MS-580W1/MS-580W Wireless Conference Microphone

## ■ Operation instructions

- ① Connect the mic to a computer via the wireless USB receiver, and the computer will automatically identify the mic and install the driver.



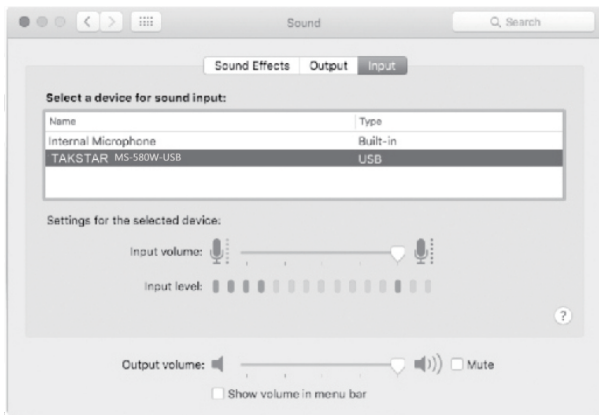
- ② Driver settings:

Windows: under sound settings, set “TAKSTAR MS-580W-USB” as the default device in “Recording” tab.



## MS-580W1/MS-580W Wireless Conference Microphone

Mac OS: enter Sound settings under System Preferences, and select “TAKSTAR 580W-USB” as the input device.



③ Connect a headphone or an active speaker to the 3.5mm interface on the back of the mic.

④ Open your video conference software, instant messenger or recording software, and start video conferences, voice chat or network broadcast right away.

(In Windows system, if the recording is too loud, you can lower the system volume of the recording device or adjust the volume knob on the mic to lower the volume.)

### ■ Safety Instructions

To avoid electric shock, overheating, fire, radiation, explosion, mechanical risk and injury or property loss due to improper use, please read and observe the following items before use:

1. Please check if the power of the connected equipment matches with that of this product before operation. Adjust the volume to proper level during operation. Do not operate at over-power or high-volume level for extended time to avoid product malfunction.
  2. If there is any abnormality during use (e.g., smoke, strange odor), please kill the power switch and unplug from power source, then send the product to the after-sales service outlet for repair.
  3. Keep this product and its accessories in a dry and ventilated area. Do not store in a humid or dusty area for extended time. Keep away from fire, rain, liquid intrusion, bumping, throwing, vibrating, or from blocking any ventilation openings, to prevent malfunction.
  4. The product must, when installed on walls or ceilings, be fixed firmly in place at adequate strength to prevent from falling.
  5. Abide by relative safety rules during operation. Do not use it if prohibited by laws and regulations to avoid accident.
  6. Do not disassemble or repair the product by yourself to avoid injury.
- If you have any questions or require any services, please contact our local after-sales service outlet.

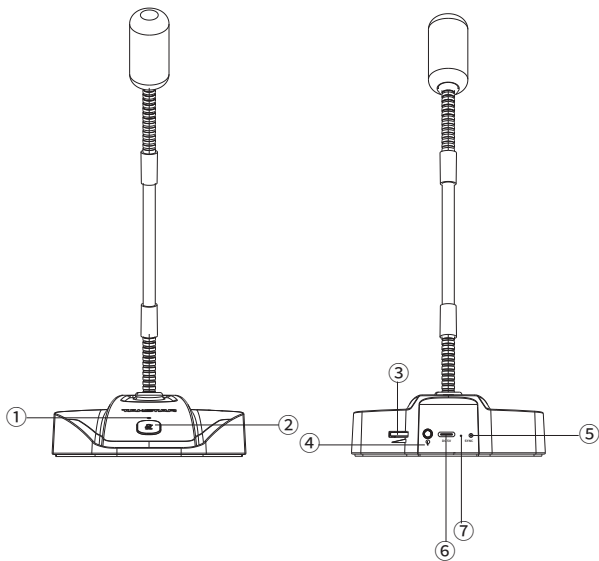
### ■ Function Descriptions

1. Mute indicator (red and green two-color light): solid green light = unmuted; green flash (regardless of mute status) = low battery; solid red light = muted; red flash = sync mode (after sync, changes into mute mode, solid red light).
2. Mute switch: short press to mute/unmute the mic cyclically. Indicator lights up green when unmuted and turns red when muted. Long press for 2s to power on/off, indicator turns on or goes off respectively. The mic defaults to muted after power-on.
3. Volume knob: when unmuted, turn counterclockwise to increase mic volume, or clockwise to decrease.
4. 3.5mm interface: connect to headphones or an active speaker.
5. Sync channel switch key: short press to switch channels; long press for 5s to enter pairing mode.
6. Charging interface: supply power to the mic via a Type-C cable.
7. Charging indicator: turns solid red while charging and goes off when fully charged.




## MS-580W1/MS-580W Wireless Conference Microphone

---



### ■ Label Meanings

 This device is compliant with the limits of the European Council Directive on the approximation of the laws of the member states relating to electromagnetic compatibility according to RL2004/108/EG and European Low Voltage Directive RL2006/95/EG.

### ■ About the meaning of icon

This manual contains up-to-date technical specifications as of printing. However, specifications contained herein may not conform to your particular product since Takstar is constantly improving its products. Also, specifications, devices or accessories available may vary from region to region. If you have any questions, please contact our local sales outlet. For the latest version/more information, please visit our website: <https://www.takstar.com/>

## 注意事项：

1. 本单为保修凭证，请用户妥善保管，如有遗失，恕不保修或退换。
2. 保修期限制：购买之日起十二个月内。
3. 除了不可抗力事件损坏外，由本公司负责，免费维修。
4. 如属保管不善或使用不当造成的损坏，维修点将酌情收费。
5. 擅自拆卸维修者，不予保修。
6. 以上保修条款仅限于中国市场适用（不含港澳台地区）。

# 产品服务保证书

姓名：\_\_\_\_\_ 电话：\_\_\_\_\_ 地址：\_\_\_\_\_

商品：\_\_\_\_\_ 型号：\_\_\_\_\_ 购买日期：\_\_\_\_\_ 年 \_\_\_ 月 \_\_\_ 日

维修记录栏 (由维修员填写)	维修员签名	日期

◆广东得胜电子有限公司 ◆电话：400-6828-333 ◆地址：广东省惠州市博罗县龙溪街道富康一路2号



扫一扫，了解更多产品  
Scan for more  
product information

## **广东省电声工程技术研究开发中心 广东得胜电子有限公司制造**

地址：广东省惠州市博罗县龙溪街道富康一路2号

服务热线：400 6828 333 传真：0752 6383950

邮箱：xs@takstar.com

网址：www.takstar.com

Guangdong Takstar Electronic Co., Ltd.

Address: No. 2 Fu Kang YiRd., Longxi Boluo

Huizhou, Guangdong 516121 China

Tel: 86 752 6383644 Fax: 86 752 6383952

Email: sales@takstar.com

Website: www.takstar.com