

TAKSTAR® 得胜



SG-01R

网络音频采集器/单路

Single-Channel IP Audio Input Terminal

使用说明

User Manual

SG-01R 网络音频采集器/单路

■ 前言

感谢您选购得胜SG-01R网络音频采集器/单路,为了您能够更好地了解使用本产品,建议您在使用前仔细阅读本说明书。

若存在有疑问或者您有宝贵的建议,可通过拨打得胜官方服务热线400 6828 333或微信扫描二维码关注得胜官方公众号与我们联系。



■ 产品特性

- 标准机架式,2U高度;高级铝面板,采用先进的抛光;
- 采用固定静态的IP地址,当网络发生改变时地址不会丢失,工作稳定;
- 采用嵌入式PC技术和DSP音频处理技术设计;内置嵌入式网络语音编解码模块,完成网络音频流的同步接收和编解码;采用高速工业级ARM芯片,启动时间达到毫秒级;
- 具有1路RJ45下载地址的接口,可以适应不同地方的网络修改地址。
- 通过网络传输多套音频节目内容;
- 单台设备具有1音频采播;
- 1路LINE/MIC信号输入,1路独立的网络TCP/IP编码功能;独立的音量调节;高品质的数字音频传输,无噪音,可以单向呼叫;
- 音质达到CD级(音频文件位速为32-320kbps自适应);
- 系统配置完成,可以操作面板上按键1按键直接启动相应区域广播终端
- 超强的跨网关、跨路由能力,有以太网口的地方即可接入。
- 具有远程升级功能,产品程序更新无须现场升级,通过网络远程即可更新、方便快捷。
- 可以多机堆叠,一套系统中可以安装多台设备,没有数量限制
- 机器背面设有IP地址复位开关,复位可恢复出厂设置。

SG-01R 网络音频采集器/单路

■ 适用范围

商超、校园、酒店、公园、监狱、大型商业综合体等场合

■ 包装清单

采集器.....	1台
电源线.....	1条
说明书.....	1份

■ 技术参数

数字音频输入

- 网络接口:1组, RJ45、10M/100M
- 网络协议:TCP/IP、UDP
- 音频格式:MP3/MP2
- 支持码流:32K-320K
- 频带宽度:20Hz-20KHz
- 灵敏度:92dB
- 信噪比线路:≥90dB; 话筒: ≥88dB

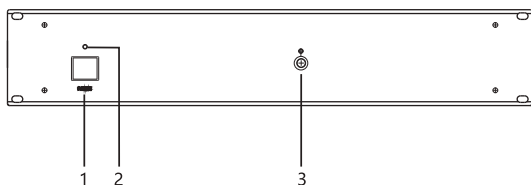
模拟音频输入

- MIC输入:10MV6.3mm单声道插座
- 线路输入频带宽度:20Hz-20KHz
- LINE输入:立体声1V p-p,10K莲花插座

- 输入电源:AC 220V±10%,50-60Hz
- 待机功率:0.2W
- 线路输出:立体声1V p-p,1K莲花插座
- 设备尺寸:485(W)x330(D)x88(H)mm
- 产品重量:约5.4KG

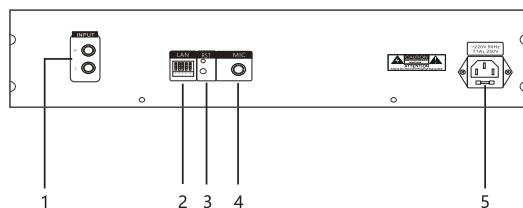
注:以上数据由得胜实验室测试得到,并拥有最终解释权!

■ 面板介绍



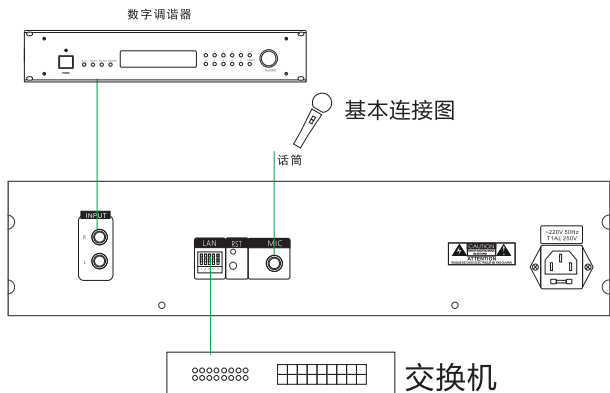
- ① 电源开关
- ② 电源指示灯
- ③ 单路采播按键及指示灯

■ 背板介绍



- ① 线路输入
- ② 网络接口
- ③ 复位开关
- ④ 话筒输入
- ⑤ 交流电输入

■ 基本连接



■ 安全警示

为避免电击、高温、着火、辐射、爆炸、机械危险以及使用不当等可能造成的人身伤害或财产损失,使用本产品前,请仔细阅读并遵守以下事项:

1. 使用产品时请确认所连设备与本产品是否匹配以及合理调整音量大小,不要在超过产品功率及大音量下长时间使用,以免造成产品异常;
2. 使用中若发现有异常(如冒烟、异味等),请立即关闭电源开关并拔掉电源插头,然后将产品送售后服务网点检修;
3. 消费者若使用电源适配器供电,则应购买配套使用获得CCC认证并满足标准要求的电源适配器;
4. 本产品及附件都应放置在室内干燥通风处,请勿长期存放在潮湿、灰尘多的环境,使用中避免靠近火源、雨淋、进水、过度碰撞、抛掷、振动本机及覆盖通风孔,以免损坏其功能;
5. 使用该产品时需遵守相关安全规定,法律法规明确禁止使用场合请勿使用本产品,以免导致意外事故;
6. 请不要自行拆机改装或维修,以防止出现人身伤害,如有问题或服务需求请联系当地售后服务网点跟进处理。

SG-01R Single-Channel IP Audio Input Terminal

■ Preface

Dear Customer,

Thank you for purchasing our product. Read this manual thoroughly to use the product properly.

If you have any questions or suggestions, please contact our local sales service.

■ Features

- Standard 2U rack-mount design with a premium polished aluminum front panel.
- Fixed static IP address ensures stability during network changes.
- Utilizes embedded PC technology and DSP audio processing, with a built-in network voice codec for synchronized streaming and decoding; high-speed ARM chip enables millisecond boot times.
- 1CH RJ45 interface for downloading adaptable IP addresses.
- Transmits multiple audio programs over the network.
- Supports one audio source per device.
- Includes 1CH LINE/MIC input and 1CH independent TCP/IP encoding; separate volume control for high-quality, noise-free audio with one-way calling.
- CD-quality audio with bitrates from 32-320 kbps.
- Activates corresponding area broadcast terminals directly via the control panel button after configuration.
- Exceptional cross-gateway and cross-router connectivity through any Ethernet port.
- Remote upgrade capability for program updates without on-site intervention.
- Stacking support for multiple units within a single system without limits.
- Rear panel IP address reset switch for restoring factory settings.

SG-01R Single-Channel IP Audio Input Terminal

■ Application

Shopping malls, campuses, hotels, parks, prisons, community announcements, and large commercial complexes.

■ Package Contents

- 1 × Audio Input Terminal
- 1 × Power Cord
- 1 × User Manual

■ Technical Specifications

Digital Audio Input

- Network Interface: 1 x RJ45, 10M/100M
- Network Protocol: TCP/IP, UDP
- Audio Formats: MP3/MP2
- Supported Bitrates: 32K-320K
- Frequency Response: 20Hz-20KHz
- Sensitivity: 92dB
- Signal-to-Noise Ratio: Line \geq 90dB; Mic \geq 88dB

SG-01R Single-Channel IP Audio Input Terminal

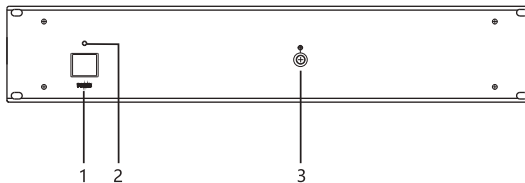
Analog Audio Input

- MIC Input: 10mV 6.3mm mono socket
- Line Input Frequency Response: 20Hz-20KHz
- LINE Input: Stereo 1V p-p, 10K RCA socket

- Input Power: AC 220V \pm 10%, 50-60Hz
- Standby Power: 0.2W
- Line Output: Stereo 1V p-p, 1K RCA socket
- Device Dimensions: 485(W) x 330(D) x 88(H) mm
- Product Weight: Approx. 5.4 kg

Note: The above data are measured by Takstar laboratory which has the final interpretation right!

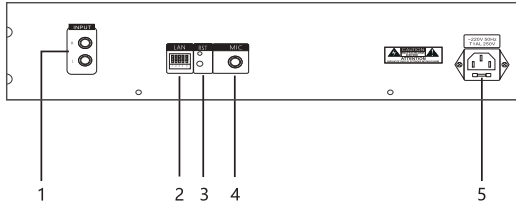
■ Front Panel



- ① Power Switch
- ② Power Indicator Light
- ③ Single Audio Source Button and Indicator Light

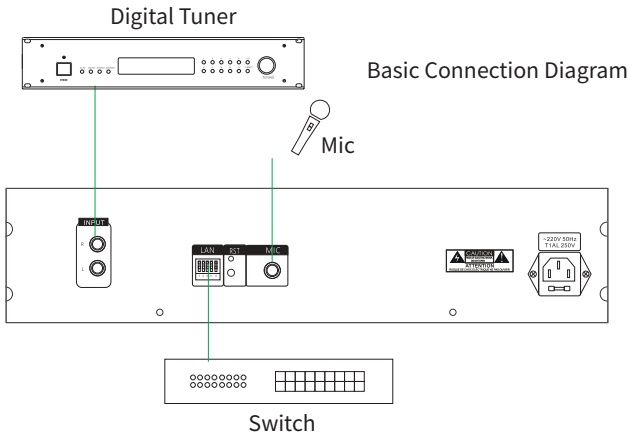
SG-01R Single-Channel IP Audio Input Terminal

■ Rear Panel



- ① Line Input
- ② Network Interface
- ③ Reset Switch
- ④ Mic Input
- ⑤ AC Power Input

■ Basic Connection



■ Safety Instructions

To avoid electric shock, overheat, fire, radiation, explosion, mechanical risk and injury or property loss due to improper use, please read and observe the following items before use:

1. Please check if the power of the connected equipment matches with that of this product before operation. Adjust the volume to proper level during operation. Do not operate at over-power or high-volume level for extended time to avoid product malfunction.
2. If there is any abnormality during use (e.g., smoke, strange odor), please kill the power switch and unplug from power source, then send the product to the local after-sales service for repair.
3. Power adapter used, if any, should be approved by CCC certification or similar standards and comply with the power supply requirements.
4. Keep this product and its accessories in a dry and ventilated area. Do not store in a humid or dusty area for extended time. Keep away from fire, rain, liquid intrusion, bumping, throwing, vibrating, or from blocking any ventilation openings, to prevent malfunction.
5. Please abide by safety rules during operation. Do not use the product in places prohibited by laws or regulations to avoid accident.
6. Do not disassemble or repair the product without authorization to avoid injury. If you have any questions or require any services, please contact our local after-sales service.

产品服务保证书

姓名: _____ 电话: _____ 地址: _____
商品: _____ 型号: _____ 购买日期: _____ 年 ____ 月 ____ 日

维修记录栏 (由维修员填写)	维修员签名	日期

注意事项:

1. 本单为保修凭证, 请用户妥善保管, 如有遗失, 恕不保修或退换。
2. 保修期限制: 购买之日起十二个月内。
3. 除了不可抗力事件损坏外, 由本公司负责, 免费维修。
4. 如属保管不善或使用不当造成的损坏, 维修点将酌情收费。
5. 擅自拆卸维修者, 不予保修。
6. 以上保修条款仅限于中国市场适用 (不含港澳台地区)。

◆ 广东得胜电子有限公司 ◆ 电话: 400-6828-333 ◆ 地址: 广东省惠州市博罗县龙溪街道富康一路2号



扫一扫，了解更多产品
Scan for more
product information

广东省电声工程技术研究开发中心 广东得胜电子有限公司制造

地址：广东省惠州市博罗县龙溪街道富康一路2号

服务热线：400 6828 333 传真：0752 6383950

邮箱：xs@takstar.com

网址：www.takstar.com

Guangdong Takstar Electronic Co., Ltd.

Address: No. 2 Fu Kang Yi Rd., Longxi Boluo
Huizhou, Guangdong 516121 China

Tel: 86 752 6383644 Fax: 86 752 6383952

Email: sales@takstar.com

Website: www.takstar.com