

# TAKSTAR® 得胜



## TS-3310HH | 无线麦克风 Wireless Microphone

使用手册 | User Manual

# TS-3310HH 无线麦克风

## ■ 前言

感谢您选购 TS-3310HH无线麦克风,为了您能够更好地了解使用本产品,建议您在使用前仔细阅读本说明书。

若存在有疑问或者您有宝贵的建议,可通过拨打得胜官方服务热线400 6828 333或微信扫描二维码关注得胜官方公众号与我们联系。



## ■ 产品特性

- 采用UHF高性能集成电路设计,有效改善接收死角,提高接收稳定度;
- 特设频道ID码识别功能,有效防止外界或频道之间串扰出现噪声;
- 空旷无遮挡环境下,使用距离约达80米;
- LCD显示工作信息,人机对话一目了然;
- 具备独立的平衡(XLR)及非平衡(6.35插座)的混合输出,方便设备连接。

## ■ 适用范围

适用学校教室、会议、家庭娱乐、户外演出等场合

## ■ 产品配置

接收机.....	1台
手持发射器.....	2支
电源适配器.....	1个
音频输出线.....	1条
1.5V AA电池.....	2节
防滑圈.....	2个
说明书.....	1份

# TS-3310HH 无线麦克风

---

## ■ 技术参数

### 接收机

- 频率范围:500-690MHz(分段设计)
- 失真度:<0.3%
- 信噪比:99dB
- 频率稳定度:±10ppm
- 频率响应:50Hz-18kHz
- 灵敏度:10dBuV
- 接收距离:约80米
- 邻道抑制:65dB
- 功能显示方式:LCD
- 镜像频率抑制:75dB
- 电源供应:DC=12V
- 音频输出:200mV
- 输出阻抗:XLR接头:200Ω 1/4"接头:1K
- 尺寸:482\*490\*44mm
- 重量:约527g

### 发射机

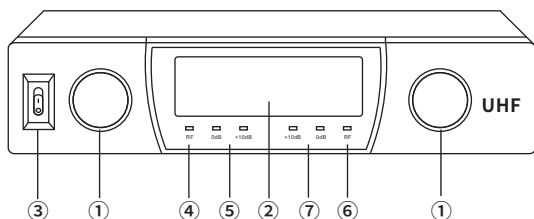
- 频率范围:500-690MHz(分段设计)
- 调制方式:FM
- 频率稳定度:±10ppm
- 最大调制度:75K
- 发射功率:10mW
- 工作电压:3V
- 发射距离:约80米
- 工作电流:120mA
- 谐波抑制:65dB以上
- 功能显示方式:LCD

注:以上数据由得胜实验室测试得到,并拥有最终解释权!

# TS-3310HH 无线麦克风

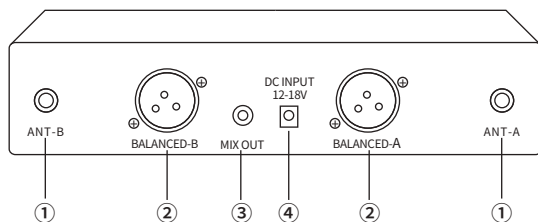
## ■ 功能示意

### 接收机前面板



- ① 音量调节旋钮:用于调整对应通道音量大小;顺时针旋转增大音量;反之减小音量。
- ② 屏幕显示:显示通道当前工作频率。
- ③ 电源开关:控制机内电源供应,向上拨动开关接通电源,显示屏亮起。
- ④ A通道RF指示:当RF指示亮起,表示A通道正在接收有效的射频信号。
- ⑤ A通道音量电平指示:显示A通道声音信号动态。
- ⑥ B通道RF指示:当RF指示亮起,表示B通道正在接收有效的射频信号。
- ⑦ B通道音量电平指示:显示B通道声音信号动态。

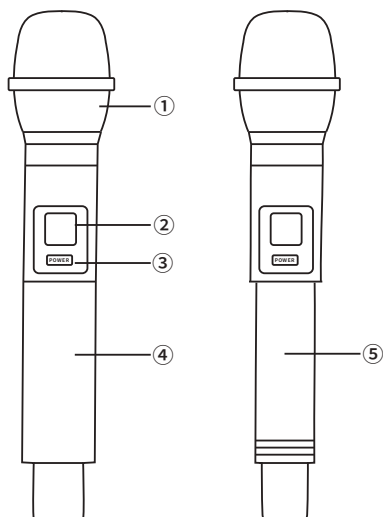
### 接收机背面板



- ① 天线:A/B天线。
- ② 音频平衡输出:采用“XLR”型插座,提供各通道独立信号输出。
- ③ 混合音频输出:将两路的音频信号混合成一路输出。
- ④ 电源插座:连接DC12V电源至输入插座。

# TS-3310HH 无线麦克风

## 手持发射器



- ① 网头及音头模组：网头用以保护将声音转换成电信号的音头模组，并能防止麦克风放置在台面时滚动；
- ② 显示屏：显示当前工作频率信息。
- ③ 电源键：点按开启麦克风电源，长按关闭麦克风电源。
- ④ 麦克风管体：管端装配网头、音头模组、管体内装电池、发射电路板、尾部内置发射天线。
- ⑤ 电池仓：将两节AA电池按照正负极正确方向装入电池仓。

# TS-3310HH 无线麦克风

## ■ 使用说明

1. 接通电源, 打开接收机的电源开关。
2. 点按手持发射器电源键开机, 对应通道RF指示亮起; 对着麦克风说话, 接收机的音量电平指示随麦克风音量大小对应点亮, 表示系统已正常工作。
3. 如接收机RF指示未亮起或音量电平无反应, 请检查手持发射器的电池电量, 以及两者间的距离是否在有效使用范围内。
4. 频率组:

频组	A频段 (MHz)		B频段(MHz)	
	序号	频率	序号	频率
01	01	540.3MHz	02	570.3MHz
02	03	542.3MHz	04	572.3MHz
03	05	544.3MHz	06	574.3MHz
04	07	546.3MHz	08	576.3MHz
05	09	548.3MHz	10	578.3MHz
06	11	550.3MHz	12	580.3MHz
07	13	552.3MHz	14	582.3MHz
08	15	554.3MHz	16	584.3MHz
09	17	556.3MHz	18	586.3MHz
10	19	558.3MHz	20	588.3MHz

## ■ 安全警示

为避免电击、高温、着火、辐射、爆炸、机械危险以及使用不当等可能造成的人身伤害或财产损失, 使用本产品前, 请仔细阅读并遵守以下事项:

1. 使用产品时请确认所连设备与本产品是否匹配以及合理调整音量大小, 不要在超过产品功率及大音量下长时间使用, 以免造成产品异常;

# TS-3310HH 无线麦克风

2. 使用中若发现有异常(如冒烟、异味等),请立即关闭电源开关并拔掉电源插头,然后将产品送售后服务网点检修;
3. 若产品需要使用可拆装电池时,严禁使用外壳绝缘材料破损的电池;请不要为非充电电池充电;
4. 废弃电池需放入指定的分类垃圾桶,不可作为儿童玩具或直接丢弃,以免造成安全隐患或影响环境;
5. 本产品及配件都应放置在室内干燥通风处,请勿长期存放在潮湿、灰尘多的环境,使用中避免靠近火源、雨淋、进水、过度碰撞、抛掷、振动本机及覆盖通风孔,以免损坏其功能;
6. 若产品需要固定于墙壁或天花板时,请确保固定到位,防止因固定强度不足导致产品发生跌落危险;
7. 使用该产品时需遵守相关安全规定,法律法规明确禁止使用场合请勿使用本产品,以免导致意外事故;
8. 请不要自行拆机改装或维修,以防止出现人身伤害,如有问题或服务需求请联系当地售后服务网点跟进处理。

## ■ 关于图标含义解释



此符号表示,根据WEEE指令(2012/19/EU)和国家法律,由于这种类型的废弃物会有潜在的有害物质,可能对环境 and 人类健康产生负面影响,所以本产品不应与您的家庭垃圾一起处置,

应将本产品应交由授权的电气和电子设备(WEEE)回收站回收。同时,您在正确处理本产品的同时将有助于自然资源的有效利用。如需了解更多有关您可以在何处放置废物回收设备的信息,请联系您当地的城市办事处、废物管理局或家庭废物处理服务部门。

## ■ 关于本说明书

本说明书中内容符合截止印刷之日的技术规格。由于得胜公司会不断改进产品,本说明书可能不符合您的特定产品的技术规格。要获取最新版说明书,请访问得胜官网,然后下载说明书文件。技术规格、设备或另售的附件在各个地区可能有所不同,如有问题请与当地得胜销售网点确认。如需更多支持和深层产品信息,请浏览得胜官方网站:<https://www.takstar.com>

版权所有 ©2024 得胜。得胜、TAKSTAR及其各自标志是广东得胜电子有限公司在中国和/或其他国家/地区的注册商标或商标。所有其它商标均是其各自所有者的财产。

# TS-3310HH Wireless Microphone

---

## ■ Preface

Dear Customer,

Thank you for purchasing our product. Read this manual thoroughly to use the product properly.

If you have any questions or suggestions, please contact our local sales service.

## ■ Features

- Efficient UHF design reduces dropouts, enhances stable reception.
- Channel ID prevents interference or crosstalk between channels.
- Up to 80m range in open, unobstructed areas.
- LCD displays clear operational info at a glance.
- Separate balanced (XLR) outputs and unbalanced (6.35mm) mixed output.

## ■ Applications

For classrooms, conferences, home entertainment, and outdoor performances.

## ■ Package Contents

- 1 × Receiver
- 2 × Handheld Transmitter
- 1 × Power Adapter
- 1 × Audio Output Cable
- 2 × AA Battery
- 2 × Anti-slip Ring
- 1 × User Manual

# TS-3310HH Wireless Microphone

---

## ■ Specifications

### Receiver

- Frequency Range: 500-690 MHz (segmented)
- Distortion: <0.3%
- Signal-to-Noise Ratio: 99 dB
- Frequency Stability:  $\pm 10$  ppm
- Frequency Response: 50 Hz - 18 kHz
- Sensitivity: 10 dBuV
- Reception Range: Approx. 80 m
- Adjacent Channel Rejection: 65 dB
- Display: LCD
- Image Rejection: 75 dB
- Power Supply: DC 12V
- Audio Output: 200 mV
- Output Impedance: XLR - 200 $\Omega$ , 1/4" - 1 k $\Omega$
- Dimensions: 482 x 490 x 44 mm
- Weight: Approx. 527 g

### Transmitter

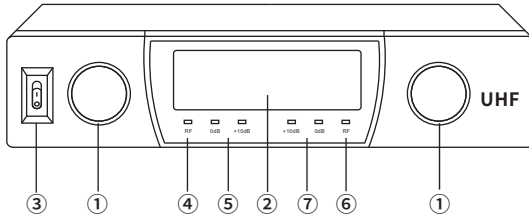
- Frequency Range: 500-690 MHz (segmented)
- Modulation: FM
- Frequency Stability:  $\pm 10$  ppm
- Maximum Modulation: 75K
- Transmit Power: 10 mW
- Operating Voltage: 3V
- Transmission Range: Approx. 80 m
- Operating Current: 120 mA
- Harmonic Suppression: >65 dB
- Display: LCD

Note: The above data are measured by Takstar laboratory which has the final interpretation right!

# TS-3310HH Wireless Microphone

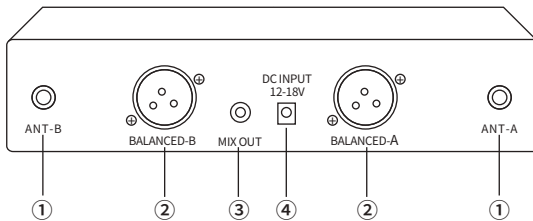
## ■ Function Descriptions

### Receiver Front Panel



- ① Volume Knobs: Adjusts respective channel volume. Rotate clockwise to increase, counter-clockwise to decrease.
- ② Display: Shows operating channel frequency.
- ③ Power Switch: Slide up to turn on, display illuminates.
- ④ Channel A RF Indicator: Lights up when receiving RF signal on channel A.
- ⑤ Channel A Audio Level: Displays dynamic audio level of channel A.
- ⑥ Channel B RF Indicator: Lights up when receiving RF signal on channel B.
- ⑦ Channel B Audio Level: Displays dynamic audio level of channel B.

### Receiver Rear Panel

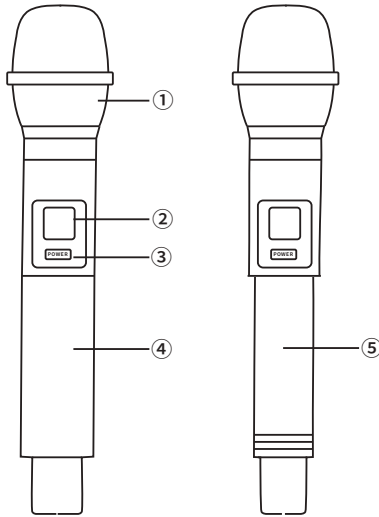


- ① Antennas: Channel A/B antennas.
- ② Balanced Outputs: XLR, outputs independent channel signal.
- ③ Mixed Output: Mixed audio output for both channels.
- ④ Power Socket: Connect to 12V DC power source.

# TS-3310HH Wireless Microphone

---

## Handheld Transmitter



- ① Grille & Capsule Module: The grille protects mic capsule that converts sound into electrical signals, and prevents mic from rolling when placed on a surface.
- ② Display: Shows operating frequency.
- ③ Power Switch: Press to turn on, long press to turn off.
- ④ Mic Body: Connects to grille & capsule module, and houses battery compartment, transmitter circuit board, and built-in transmitter antenna at the end.
- ⑤ Battery Compartment: For installing 2 AA batteries (follow correct polarity).

# TS-3310HH Wireless Microphone

---

## ■ Operating Instructions

1. Power on the receiver by switching the power on.
2. Press the power button on the handheld transmitter to turn it on. The corresponding channel's RF indicator will light up. Speak into the mic - the receiver's audio level indicator will fluctuate, indicating the system is functioning normally.
3. If the receiver's RF indicator does not light up or the audio level shows no response, check the transmitter battery level and ensure the distance between the devices is within the effective range.

### 4. Frequency Group:

Group	Band A (MHz)		Band B (MHz)	
	No.	Frequency	No.	Frequency
01	01	540.3MHz	02	570.3MHz
02	03	542.3MHz	04	572.3MHz
03	05	544.3MHz	06	574.3MHz
04	07	546.3MHz	08	576.3MHz
05	09	548.3MHz	10	578.3MHz
06	11	550.3MHz	12	580.3MHz
07	13	552.3MHz	14	582.3MHz
08	15	554.3MHz	16	584.3MHz
09	17	556.3MHz	18	586.3MHz
10	19	558.3MHz	20	588.3MHz

# TS-3310HH Wireless Microphone

---

## ■ Safety Instructions

To avoid electric shock, overheat, fire, radiation, explosion, mechanical risk and injury or property loss due to improper use, please read and observe the following items before use:

1. Please check if the power of the connected equipment matches with that of this product before operation. Adjust the volume to proper level during operation. Do not operate at over-power or high-volume level for extended time to avoid product malfunction.
2. If there is any abnormality during use (e.g., smoke, strange odor), please kill the power switch and unplug from power source, then send the product to the local after-sales service for repair.
3. For products that require removable batteries, never use damaged batteries with broken insulation materials. Do not attempt to charge non-rechargeable batteries.
4. Dispose of used batteries in designated recycling bins. Do not use them as toys or dispose of them directly, as it may pose safety hazards or harm the environment.
5. Keep this product and its accessories in a dry and ventilated area. Do not store in a humid or dusty area for extended time. Keep away from fire, rain, liquid intrusion, bumping, throwing, vibrating, or from blocking any ventilation openings, to prevent malfunction.
6. The product must, when installed on walls or ceilings, be fixed firmly in place at adequate strength to prevent from falling.
7. Please abide by safety rules during operation. Do not use the product in places prohibited by laws or regulations to avoid accident.
8. Do not disassemble or repair the product by yourself to avoid personal injury. If you have question or need service, please contact our local after-sales service.

# TS-3310HH Wireless Microphone

---

## ■ Label Meanings



This symbol indicates that this product should not be disposed of with your household waste, according to the WEEE directive (2012/19/EU) and your national law. This product should be handed over to an authorized collection site for recycling waste electrical and electronic equipment (WEEE). Improper handling of this type of waste could have a possible negative impact on the environment and human health due to potentially hazardous substances that are generally associated with WEEE. At the same time, your cooperation in the correct disposal of this product will contribute to the effective usage of natural resources. For more information about where you can drop off your waste equipment for recycling, please contact your local city office, waste authority, or your household waste disposal service.

## ■ About This Manual

This manual contains up-to-date technical specifications as of printing. However, specifications contained herein may not conform to your particular product since Takstar is constantly improving its products. Also, specifications, devices or accessories available may vary from region to region. If you have any questions, please contact our local sales outlet. For the latest version/more information, please visit our website: <https://www.takstar.com/>

Copyright ©2024 TAKSTAR. TAKSTAR, 得胜 and their respective logos are registered trademarks or trademarks of Guangdong Takstar Electronic Co., Ltd. in the PRC, and/or other countries. All other trademarks are the property of their respective owners.

## 注意事项:

1. 本单为保修凭证, 请用户妥善保管, 如有遗失, 恕不保修或退换。
2. 保修期限制: 购买之日起十二个月内。
3. 除了不可抗力事件损坏外, 由本公司负责, 免费维修。
4. 如属保管不善或使用不当造成的损坏, 维修点将酌情收费。
5. 擅自拆卸维修者, 不予保修。
6. 以上保修条款仅限于中国市场适用 (不含港澳台地区)。

# 产品服务保证书

姓名: \_\_\_\_\_ 电话: \_\_\_\_\_ 地址: \_\_\_\_\_  
商品: \_\_\_\_\_ 型号: \_\_\_\_\_ 购买日期: \_\_\_\_\_ 年 \_\_\_\_ 月 \_\_\_\_ 日

维修记录栏 (由维修员填写)	维修员签名	日期

◆ 广东得胜电子有限公司 ◆ 电话: 400-6828-333 ◆ 地址: 广东省惠州市博罗县龙溪街道雷康一路2号



扫一扫，了解更多产品  
Scan for more  
product information

## **广东省电声工程技术研究中心 广东得胜电子有限公司制造**

地址：广东省惠州市博罗县龙溪街道富康一路2号

服务热线：400 6828 333 传真：0752 6383950

邮箱：xs@takstar.com

网址：www.takstar.com

Guangdong Takstar Electronic Co., Ltd.

Address: No. 2 Fu Kang Yi Rd., Longxi Boluo

Huizhou, Guangdong 516121 China

Tel: 86 752 6383644 Fax: 86 752 6383952

Email: sales@takstar.com

Website: www.takstar.com