

# TAKSTAR® 得胜



## TS-3310UH | 无线麦克风 Wireless Microphone

使用手册 | User Manual

## ■ 前言

尊敬的用户：

感谢您选购得胜TS-3310UH无线麦克风，为了您能够更好的了解使用本产品，建议您在使用前仔细阅读本说明书。

若存在有疑问或者您有宝贵的建议，可通过拨打得胜官方服务热线400 6828 333或微信扫描二维码关注得胜官方公众号与我们联系。



## ■ 产品特性

- 采用UHF高性能集成电路设计，多频道可供选择，有效改善接收死角，提高接收稳定度
- 特设频道ID码识别功能，有效防止外界或频道之间串扰出现噪声
- LCD显示工作信息，人机对话一目了然
- 接收机具备一键自动扫频功能，能自动快速选取无干扰频道使用
- 红外对频方式，只需轻轻一按，即可完成发射机与接收机频道同步，使用方便
- 具备独立的平衡（XLR）及非平衡（6.3插座）的混合输出，方便设备连接

## ■ 产品配置

TS-3310UH接收机.....	1台
音频输出线.....	1条
电源适配器.....	1个
手持麦克风.....	2支
5号电池.....	4节
话筒防滑圈.....	2个
说明书.....	1份

## ■ 适用范围

学校教室、KTV、会议、家庭娱乐和户外演出

## ■ 技术参数

### 接收机

- 频率范围：470-932MHz（分段设计）
- 频率稳定度：±10ppm
- 灵敏度：10dBuV
- 邻道抑制：65dB
- 镜像频率抑制：75dB
- 音频输出：200MV
- 输出阻抗：XLR接头：200Ω 1/4” 接头：1K
- 信噪比：100dB
- 失真度：<0.1%
- 频率响应：50Hz-18KHz
- 接收距离：100 (m)
- 功能显示方式：LCD
- 电源供应：DC = 12V
- 尺寸：210\*180\*45mm
- 重量：约745g
- 材质：铁壳，铝面板

### 发射机

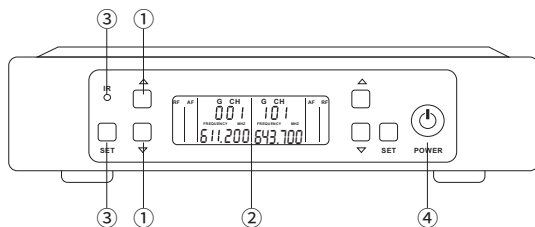
- 频率范围：470-932MHz（分段设计）
- 频率稳定度：±10ppm
- 发射功率：10mW
- 发射距离：100(m)
- 谐波抑制：65dB以上
- 调制方式：FM
- 最大调制度：75K
- 工作电压：3V
- 工作电流：120mA
- 功能显示方式：LCD

注：以上数据由得胜实验室测试得到。

## ■ 功能示意

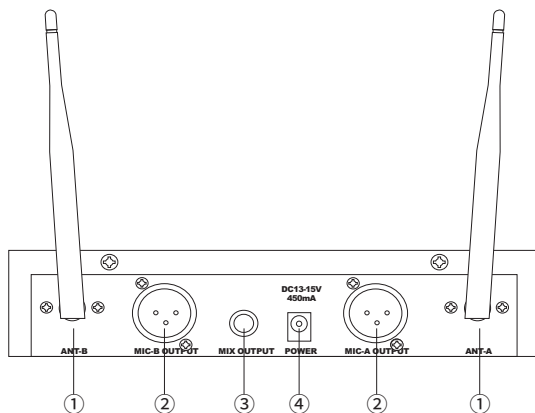
### 接收机正面板：

- ① 功能按键：用于通道选择、频率调整、对频、扫频等工作；
- ② 液晶显示：显示对频工作状态、频率、接收信号电平等信息；
- ③ IR红外对频窗口：配合“SET”键，将频率参数传至发射机；
- ④ 电源开关：控制机内电源供应。



### 接收机背面板：

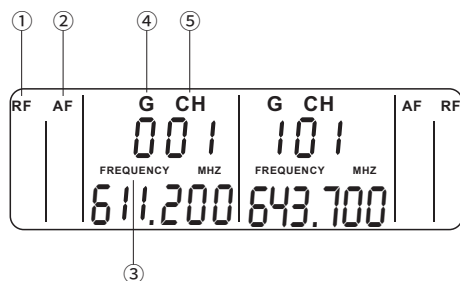
- ① 天线：A/B天线；
- ② 音频平衡输出：采用“XLR”型插座，提供各通道独立信号输出；
- ③ 混合音频输出：将两路的音频信号混合成一路输出；
- ④ 电源插座：连接DC 12V电源至输入插座；插座的中心电极连接正电压。



# TS-3310UH 无线麦克风

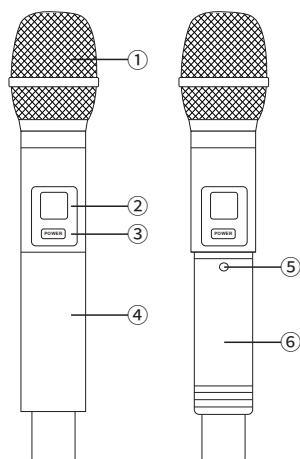
## LCD液晶屏幕显示：

- ① RF指示：显示接收信号强度；
- ② AF指示：显示声音信号强弱；
- ③ FREQUENCY：显示当前工作频率；
- ④ G：显示默认群组；
- ⑤ CH：显示默认频道。



## 手持发射器：

- ① 网头及音头模组：网头用以保护将声音转换成电信号的音头模组，并能防止麦克风放置在台面时滚动；
- ② 显示屏：显示工作频率、电池电量等信息；
- ③ 电源开关：用于开启/关闭发射机电源；
- ④ 麦克风管体：管端装配网头、音头模组、管体内装电池、发射电路板、尾部内置发射天线；
- ⑤ IR红外对频窗口：配合接收机“SET”键，将频率参数传至发射器(红外窗口在尾管内部)；
- ⑥ 电池仓：用于装入AA电池2节（请注意电池放置的极性）。



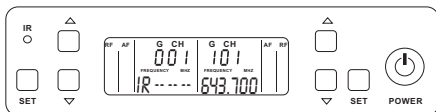
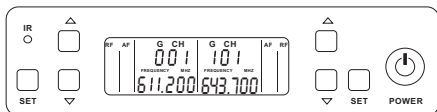
## ■ 使用说明

### 1. 手动频率调节

在初始界面下，短按两下“SET”按键，待调整通道的显示屏闪烁选频，点按“▲”键与“▼”键可调节当前使用的频率，当已调整到需要使用的频率时，停止短按，频率跳动停止，频率调整成功。打开发射机电源，将发射机上的红外接收窗口“IR”与接收机上的红外发射窗口“IR”成直线相对（对频距离可选择在10cm-30cm之间），此时点按“SET”键，屏幕窗口显示如下图对频界面后显示对频搜索信息，对频成功后，接收器和发射器频率显示一致。如果对频不成功可重新点按“SET”键继续对频，直至对频成功。

### 2. 红外对频操作

在初始界面下选定使用频道后，打开发射设备电源，将发射设备上的红外接收窗口“IR”与接收设备的红外发射窗口“IR”窗口成直线相对（对频距离可选择在10cm-30cm之间），此时短按一下“SET”键，屏幕窗口显示如下图对频界面后显示对频搜索信息，对频成功后，接收器和发射器频率显示一致。如果对频不成功，可重新短按“SET”键继续对频，直至对频成功。



### 3. 频率编号调节

在初始界面状态下，点按“SET”按键三下，待频率编号显示闪烁，按“▲”键与“▼”键调节至所需频率编号（共“00~14”个频率编号数字可供调节），频率编号选定后按“SET”键确认。

### 4. 自动扫描操作

在初始界面状态下，点按“SET”按键四下，然后点按对应通道的“▲”或“▼”键，接收机的对应通道进行自动扫描状态，频率会跳动，当扫描到干净频点时频率跳动停止，此时点按“SET”键，屏幕窗口显示如下图对频界面后显示对频搜索信息，再打开发射机电源，将发射机上的红外接收窗口“IR”对准接收机上的“IR”红外发射窗口即可。

（注意：在多套使用时，前面对上频率的需打开发射机，在对下一套接收机进行自动扫描）

### 5. 音量调节

在初始界面状态下，可通过点按对应通道的“▲”或“▼”键进入音量调节调整至所需音量（共31级）。

## ■ 安全警示

为避免电击、过高温度、着火、辐射、爆炸、机械危险以及使用不当等可能造成的人身伤害或财产损失，使用本产品前，请仔细阅读并遵守以下事项：

1. 使用产品时请确认所连接设备与本产品功率是否匹配以及合理调整音量大小，不要在超过产品功率及大音量下长时间使用，以免造成产品异常；
2. 使用中若发现有异常（如冒烟、异味等），请立即关闭电源开关并拔掉电源插头，然后将产品送经销商检修；
3. 若产品需要使用可拆装电池时，严禁使用外壳绝缘材料破损的电池；请不要为非充电电池充电；
4. 废弃电池需放入指定的分类垃圾桶，不可作为儿童玩具或直接丢弃，以免造成安全隐患或影响环境；
5. 本产品及配件都应放置在室内干燥通风处，勿长期存放在潮湿、灰尘多的环境，使用中避免靠近火源，雨淋、进水、过度碰撞、抛掷、振动本机及覆盖通风孔，避免损坏其功能；
6. 若产品需要固定于墙壁或天花板上时，请确保固定到位，防止因固定强度不足导致产品发生跌落危险；
7. 使用该产品时需遵守相关安全规定，法律法规明确禁止使用场合请勿使用本机，以免导致意外事故；
8. 请不要自行拆机改装或维修，以防止出现人身伤害，如有问题或服务需求请联系当地经销商跟进处理。

## ■ 故障排除

故障现象	故障原因
发射器、接收机无指示	发射器电池耗尽，接收机电源未接好
接收机无射频信号	收发不同频或超出接收范围
有射频信号，但无音频信号	发射器麦克风未接入
音频信号背景噪音太大	接收输出电平低，有干扰信号或接收机未装天线，信噪比下降
音频信号失真	发射器的咪头与嘴巴距离太近，接收机输出电平过高
使用距离较短，信号不稳定	接收机天线设置不当，周围有强电磁干扰


■ 环保说明

产品中所含有毒有害物质或元素的名称及含量

部件名称 (大体分类)	有毒有害物质或元素						
	铅 (Pb)	汞 (Hg)	镉 (Cd)	六价铬 (CrVI)	多溴联苯 (PBB)	多溴二苯醚 (PBDE)	
塑胶部件	○	○	○	○	○	○	
五金部件	×	○	○	○	○	○	
电路板组件	×	○	○	○	○	○	
线缆	×	○	○	○	○	○	

本表格依据SJ/T 11364的规定编制。  
 ○: 表示该有害物质在该部件所有均质材料中的含量均在 GB/T 26572规定的限量要求以下。  
 ×: 表示该有害物质至少在该部件的某一均质材料中的含量超出 GB/T 26572规定的限量要求。

此标志为产品的环保使用期限标志，且此环保使用期限只适用于产品正常工作的温度和湿度等条件。





## ■ Preface

Dear Customer,

Thank you for purchasing Takstar TS-3310UH Wireless Microphone. In order to better understand and use the product, please read this manual carefully.

If you have any questions or suggestions, please contact our local dealer.

## ■ Features

- High-performance UHF integrated circuit, multiple frequency channels selectable, better stability and nook coverage
- Special channel ID code (tone-key) function effectively prevents crosstalk
- Intuitive work status overview on LCD display
- One-key scan function on receiver automatically finds the best available channel
- IR sync to easily sync transmitter and receiver in one easy press
- Independent balanced XLR and unbalanced 6.3 combo output

## ■ Package Contents

TS-3310UH Receiver.....	1 pc
Audio Output Cable .....	1 pc
Power Adapter.....	1 pc
Handheld Microphone .....	2 pcs
AA Battery.....	4 pcs
Mic Anti-Roll Ring.....	2 pcs
User Manual.....	1 pc

## ■ Applications

Classroom, KTV, conference, family entertainment and outdoor performance

## ■ Specifications

### Receiver

- Frequency Range: 470-932MHz (segmented)
- Frequency Stability:  $\pm 10$ ppm
- Sensitivity: 10dBuV
- Adjacent Channel Rejection: 65dB
- Image Frequency Rejection: 75dB
- Audio Output: 200mV
- Output Impedance: XLR connector: 200 $\Omega$ ;  
1/4" connector: 1K
- S/N Ratio: 100dB
- Distortion: <0.1%
- Frequency Response: 50Hz-18KHz
- Receiving Distance: 100 (m)
- Function Display: LCD
- Power Supply: DC  $\approx$  12V
- Dimension: 210\*180\*45mm
- Weight: approx. 745g
- Material: iron case, aluminum panel

### Transmitter

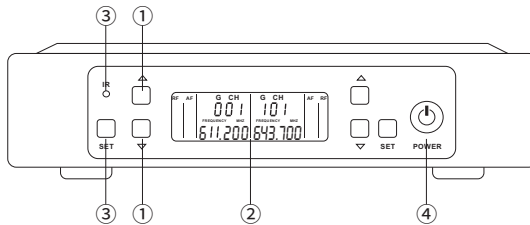
- Frequency Range: 470-932MHz (segmented)
- Frequency Stability:  $\pm 10$ ppm
- Transmit Power: 10mW
- Receiving Distance: 100 (m)
- Harmonic Suppression: >65dB
- Modulation: FM
- Max Modulation Degree: 75K
- Operating Voltage: 3V
- Operating Current: 120mA
- Function Display: LCD

Note: The above data is measured by Takstar laboratory.

## ■ Function Descriptions

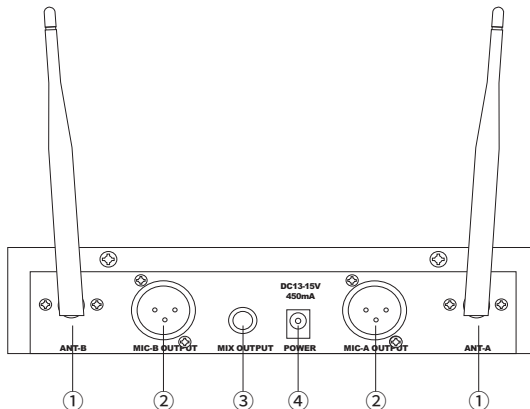
### Receiver Front Panel

- ① Function Button: used to select channel, adjust/sync/scan frequency, etc.
- ② LCD Display: displays sync status, frequency, received signal level, etc.
- ③ IR Sync Window: sends frequency parameters to transmitter, used in conjunction with the [SET] button.
- ④ Power Switch: controls receiver power supply.



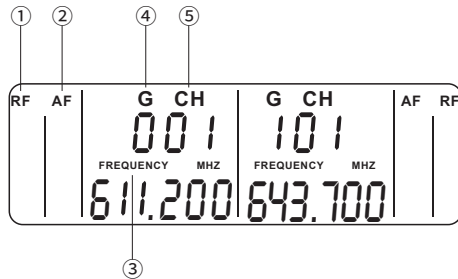
### Receiver Rear Panel

- ① Antenna: A/B antenna.
- ② Audio Balanced Output: XLR type socket, provides independent signal output for each channel.
- ③ Mixed Audio Output: mixes audio signals of both channels into one output.
- ④ Power Socket: connects to DC=12V power supply; the center electrode connects to positive voltage.



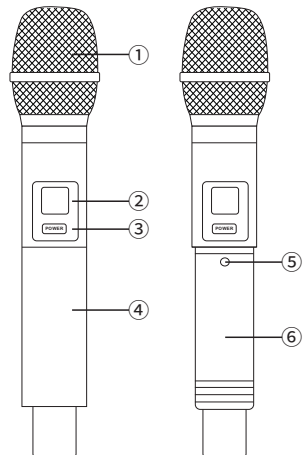
## LCD Display

- ① RF Indicator: displays the received signal strength.
- ② AF Indicator: displays the audio signal strength.
- ③ FREQUENCY: displays the operating frequency.
- ④ G: displays the default group.
- ⑤ CH: displays the default channel.



## Handheld Transmitter

- ① Mic Grille & Capsule: the mic grille protects the capsule which converts sound into electrical signal, and prevents the mic from rolling on the table.
- ② Display Screen: shows information such as operating frequency and battery power.
- ③ Power Switch: for turning on/off the transmitter power.
- ④ Mic Body: assembles the grille and capsule on the top, houses the battery and transmitting circuit board inside, and includes an internal transmitting antenna at the bottom.
- ⑤ IR Sync Window: receives frequency parameters from receiver, used in conjunction with the [SET] button on receiver. (placed on mic body behind screw cover).
- ⑥ Battery Compartment: for loading 2pcs AA batteries (please observe the polarity of battery placement).



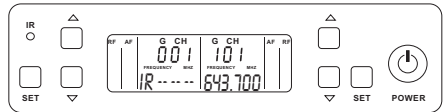
## ■ Operation Instructions

### 1. Adjust Frequency Manually

On home screen, short press [SET] button twice, then short press [▲] or [▼] of the corresponding channel to adjust its operating frequency to desired, and stop pressing until the frequency stops blinking. Next, turn on the transmitter power, align both IR windows of the transmitter and the receiver (at 10~30cm distance), short press [SET] to start syncing, in which case the screen will display the IR interface and subsequently the syncing process as shown in below figure. Once synced, the frequencies shown on the receiver and the transmitter should be the same. Retry by short pressing [SET] again if it fails to sync.

### 2. IR Sync

On home screen after selecting a desired operating channel, turn on the transmitter power, align both IR windows of the transmitter and the receiver (at 10~30cm distance), short press [SET] to start syncing, in which case the screen will display the IR interface and subsequently the syncing process as shown in below figure. Once synced, the frequencies shown on the receiver and the transmitter should be the same. Retry by short pressing [SET] again if it fails to sync.



### 3. Adjust Frequency Numbering

On home screen, short press [SET] button three times, then short press [▲] or [▼] of the corresponding channel to adjust the frequency number to desired (selectable from 1~14), and press [SET] to confirm.

### 4. Auto Scan

On home screen, short press [SET] button four times, then short press [▲] or [▼] of a channel to start automatic frequency scan for the corresponding channel. The frequency on screen keeps changing until it finds a clean frequency. Next, turn on the transmitter power, align both IR windows of the transmitter and the receiver (at 10~30cm distance), short press [SET] to start syncing.

(Note: when using multiple sets together, keep the already-paired transmitters on while performing auto scan on the next receiver set.)

### 5. Adjust Volume

On home screen, short press [▲] or [▼] of the corresponding channel to adjust its volume level (31 levels in total).

## ■ Safety Instructions

To avoid electric shock, overheating, fire, radiation, explosion, mechanical risk and injury or property loss due to improper use, please read and observe the following items before use:

1. Please check if the power of the connected equipment matches with that of this product before operation. Adjust the volume to proper level during operation. Do not operate at over-power or high-volume level for extended time to avoid product malfunction or hearing impairment.
2. If there is any abnormality during use (e.g. smoke, strange odor), please kill the power switch and unplug from power source, then send the product to the local dealer for repair.
3. Never use any replacement battery with broken insulation. Do not charge non-chargeable battery.
4. Dispose waste batteries in designated dustbin for sorting. Do not use them as children's toy nor discard directly to avoid health risk or environmental damage.
5. Keep this product and its accessories in a dry and ventilated area. Do not store in a humid or dusty area for extended time. Keep away from fire, rain, liquid intrusion, bumping, throwing, vibrating, or from blocking any ventilation openings, to prevent malfunction.
6. The product must, if applicable, be fixed firmly in place if installed on walls or ceilings at adequate strength to prevent from falling.
7. Please abide by safety rules during operation. Do not use the product in places prohibited by laws or regulations to avoid accident.
8. Do not disassemble or repair the product by yourself to avoid injury. If you have any questions or require any services, please contact our local dealer.

## ■ Troubleshooting

Issue	Cause
No response on transmitter or receiver screen.	Transmitter battery is dead; receiver power supply is not properly connected.
No RF signal on receiver.	Different frequency between transmitter and receiver; or out of effective range.
Has RF signal but no AF.	Transmitter mic is not connected.
Loud background noise in audio signal.	Low output level on receiver; there is interference signal; receiver antennas are not installed, lowering S/N ratio.
Audio signal distortion.	Speak too close to the transmitter mic. Receiver output level is too high.
Short operating distance, unstable signal.	Receiver antennas are not properly installed; or there is strong electromagnetic interference around.

## 产品服务保证书

姓名：\_\_\_\_\_ 电话：\_\_\_\_\_ 地址：\_\_\_\_\_

商品：\_\_\_\_\_ 型号：\_\_\_\_\_ 购买日期：\_\_\_\_\_ 年 \_\_\_\_\_ 月 \_\_\_\_\_ 日

维修记录栏 (由维修员填写)	维修员签名	日期

### 注意事项：

1. 本单为保修凭证，请用户妥善保管，如有遗失，恕不保修或退换。
2. 保修期限制：购买之日起十二个月内。
3. 除了不可抗力事件损坏外，由本公司负责，免费维修。
4. 如属保管不善或使用不当造成的损坏，维修点将酌情收费。
5. 擅自拆卸维修者，不予保修。
6. 以上保修条款仅限于中国市场适用（不含港澳台地区）。

◆广东得胜电子有限公司 ◆电话：400-6828-333 ◆地址：广东省惠州市博罗县龙溪街道雷康一路2号



扫一扫，了解更多产品

Scan for more  
product information

## **广东省电声工程技术研究开发中心 广东得胜电子有限公司制造**

地址：广东省惠州市博罗县龙溪街道富康一路2号

服务热线：400 6828 333 传真：0752 6383950

邮箱：xs@takstar.com

网址：www.takstar.com

Guangdong Takstar Electronic Co., Ltd.

Address: No. 2 Fu Kang Yi Rd., Longxi Boluo

Huizhou, Guangdong 516121 China

Tel: 86 752 6383644 Fax: 86 752 6383952

Email: sales@takstar.com

Website: www.takstar.com