

尊敬的用户：

感谢您选购得胜TS-AD315指向性天线，为了您能够更好地了解使用本产品，建议您在使用前仔细阅读本说明书。

若存在有疑问或者您有宝贵的建议，可通过拨打得胜官方服务热线400 618 5575或微信扫描二维码关注得胜讲解器公众号与我们联系。



产品特性

- 放大DG-U100 315MHZ信号、覆盖300-330MHZ UHF频段。
- 天线的前后比高，可有效抑制后方的干扰信号。
- 单条RF线连接，节约线材，方便使用。
- 具有一定的防水性能，可户外使用。

标准配置

| | |
|------------|----|
| 指向性天线..... | 1个 |
| 支架座..... | 1个 |
| 说明书..... | 1份 |

适用场合

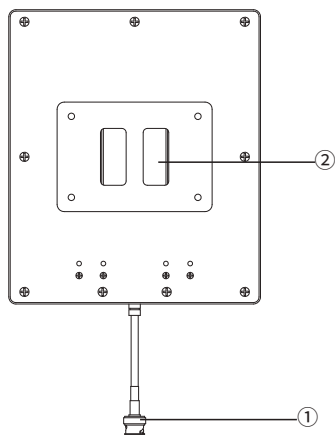
- 配合DG-U100使用，适用于会议，教室，多功能厅等场景

技术参数

- 频率范围：300-330MHz
- 天线增益：3-6dB
- 天线接口：BNC/50Ω
- 驻波比：< 1.5

注：以上数据由得胜实验室测试得到，并拥有最终解释权！

功能示意



- ① BNC输出连接口：无线信号输出接口
- ② 支架位：安装天线固定架

使用说明

天线安装

1. 可将带有螺丝孔支架轻松地固定到墙面、天花板等平面上。
2. 将天线连接到接收机315天线接口。
3. 将天线对准需要覆盖的区域。

线缆维护

为让发挥出天线的性能，应注意下列事项：

1. 避免线缆扭弯或扭结。

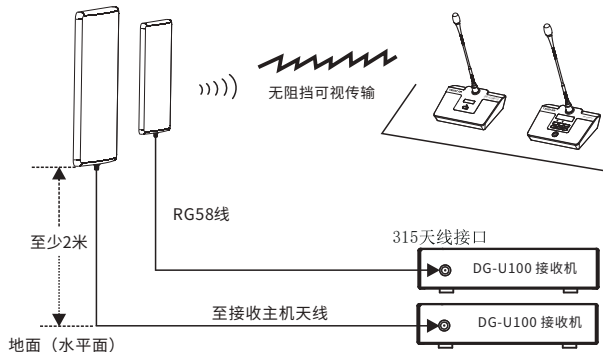
2. 不要使用方便夹(例如用钉子环绕固定线缆)让线缆改变形状。
3. 在户外使用时，应注意采用对高频信号无衰减的材料进行遮挡，避免造成信号衰减和暴露在外面日晒雨淋，导致缩短使用寿命。
4. 不要在高温高湿环境中使用。

天线放置

在固定天线时，应注意下列事项：

1. 天线适用于DG-U100无线接收机系统。
2. 场地中同时使用到2套设备时，天线与天线彼此相距至少1.2米的距离。
3. 为达到良好的效果，应尽量调整天线的位置，避开障碍物和人群。
4. 安装时，天线的正面尽量避开较大的金属物体，避免影响使用效果。
5. 安装时，天线应距离地面至少2米以上，以获得更好效果。

两条天线相距至少1.2米



安全警示

为避免电击、高温、着火、辐射、爆炸、机械危险以及使用不当等可能造成的人身伤害或财产损失，使用本产品前，请仔细阅读并遵守以下事项：

1. 使用产品时请确认所连设备与本产品是否匹配以及合理调整音量大小，不要在超过产品功率及大音量下长时间使用，以免造成产品异常；
2. 使用中若发现有异常(如冒烟、异味等)，请立即关闭电源开关并拔掉电源插头，然后将产品送售后服务网点检修；
3. 本产品及配件都应放置在室内干燥通风处，请勿长期存放在潮湿、灰尘多的环境，使用中避免靠近火源、雨淋、进水、过度碰撞、抛掷、振动本机及覆盖通风孔，以免损坏其功能；
4. 若产品需要固定于墙壁或天花板时，请确保固定到位，防止因固定强度不足导致产品发生跌落危险；
5. 使用该产品时需遵守相关安全规定，法律法规明确禁止使用场合请勿使用本产品，以免导致意外事故；
6. 请不要自行拆机改装或维修，以防止出现人身伤害，如有问题或服务需求请联系当地售后服务网点跟进处理。

注意事项：

1. 本单为保修凭证，请用户妥善保管，如有遗失，恕不保修或退换。
2. 保修期限：购买之日起十二个月内。
3. 除了不可抗力事件损坏外，由本公司负责，免费维修。如属保管不善或使用不当造成的损坏，维修点将酌情收费。
5. 擅自拆卸维修者，不予保修。
6. 以上保修条款仅限于中国市场适用（不包含港澳台地区）。

产品服务保证书

姓名：_____ 电话：_____ 地址：_____

商品：_____ 型号：_____ 购买日期：_____年__月__日

| 维修记录栏(由维修员填写) | 维修员签名 | 日期 |
|---------------|-------|----|
| | | |
| | | |
| | | |
| | | |
| | | |

◆广东得胜电子有限公司 ◆电话：400-6828-333 ◆地址：广东省惠州市博罗县龙溪街道富康一路2号



Dear Customer,

Thanks for purchasing our product. Read this manual thoroughly for proper use. If you have any questions or suggestions, please contact our local sales service.

■ Features

- Amplifies DG-U100 315MHz signals, covering the 300-330MHz UHF band.
- High front-to-back ratio effectively reduces interference from rear signals.
- Single RF cable connection saves materials and simplifies use.
- Water-resistant design allows for outdoor applications.

■ Standard Configuration

- 1 × Directional Antenna
- 1 × Mounting Bracket
- 1 × User Manual

■ Application

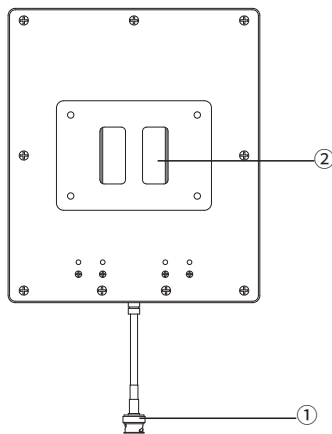
- Designed for use with DG-U100, suitable for environments such as conferences, classrooms, and multifunctional halls.

■ Specifications

- Frequency Range: 300-330MHz
- Antenna Gain: 3-6dB
- Antenna Connector: BNC/50Ω
- VSWR: <1.5

Note: The above data are measured by Takstar laboratory which has the final interpretation right!

■ Function Description



- ① BNC Output Connector: Wireless signal output interface.
- ② Mounting Bracket Position: Location for securing the antenna mounting bracket.

■ Operating Instructions

Antenna Installation:

1. Secure the bracket (with screw holes) to flat surfaces like walls or ceilings.
2. Connect the antenna to the 315 antenna input of the receiver.
3. Aim the antenna towards the area requiring coverage.

Cable Maintenance:

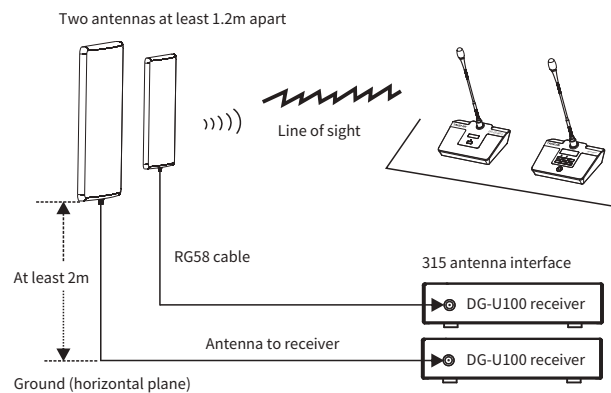
- To optimize antenna performance, observe the following guidelines:
1. Avoid bending or twisting the cable.

2. Do not use convenient clips (such as nail clips) to reshape the cable.
3. When used outdoors, ensure to cover the cable with materials that do not attenuate high-frequency signals, protecting it from sun exposure and rain to prolong its lifespan.
4. Avoid using in high-temperature and high-humidity environments.

Antenna Placement:

When securing the antenna, consider the following:

1. The antenna is compatible with the DG-U100 wireless receiver system.
2. If using two sets of equipment simultaneously, maintain a distance of at least 1.2 meters between antennas.
3. For optimal performance, adjust the antenna position to avoid obstacles and crowds.
4. Install the antenna away from large metallic objects to prevent interference.
5. The antenna should be positioned at least 2 meters above the ground for better results.



■ Safety Instructions

To avoid electric shock, overheat, fire, radiation, explosion, mechanical risk and injury or property loss due to improper use, please read and observe the following items before use:

1. Please check if the power of the connected equipment matches with that of this product before operation. Adjust the volume to proper level during operation. Do not operate at over-power or high-volume level for extended time to avoid product malfunction or hearing impairment.
2. If there is any abnormality during use (e.g., smoke, strange odor), please kill the power switch and unplug from power source, then send the product to the local after-sales service for repair.
3. Keep this product and its accessories in a dry and ventilated area. Do not store in a humid or dusty area for extended time. Keep away from fire, rain, liquid intrusion, bumping, throwing, vibrating, or from blocking any ventilation openings, to prevent malfunction.
4. The product must, when installed on walls or ceilings, be fixed firmly in place at adequate strength to prevent from falling.
5. Please abide by safety rules during operation. Do not use the product in places prohibited by laws or regulations to avoid accident.
6. Do not disassemble or repair the product by yourself to avoid injury. If you have any questions or require any services, please contact our local after-sales service.