

TAKSTAR® 得胜

无线科技、灵巧高效

Wireless Technology & Flexible High Efficiency

演绎无限精彩

Presenting Unlimited Wonder



用户手册

User Manual

X4 | 四通道无线接收主机
4 Channel Wireless Receiver

尊敬的用户：

感谢您选购得胜X4 四通道无线接收主机，为了您能够更好的了解使用本产品，建议您在使用前仔细阅读本说明书。

若存在有疑问或者您有宝贵的建议，可通过拨打得胜官方服务热线400 6828 333或使用微信扫描二维码关注得胜官方公众号与我们联系。



安全须知

- 只能使用本机提供的电源适配器，并且确认接入电源电压是否与适配器要求一致，若使用其它规格的电源适配器，可能会损坏本机。
- 本机外置的电源适配器使用220V~AC电源电压，使用其它电压会引起火灾和故障
- 请勿将本机放在高温、潮湿、灰尘多的地点及碰到液体物质，以免造成故障。
- 请勿碰撞、抛掷、振动本机，以免损坏本机。
- 不要将接收机、发射器及电源适配器拆开、触摸、改动，若机器出现故障，请联系当地代理商或我司售后服务部。
- 在使用过程中，若发现有任何异常，如冒烟、异味等，请立即拔掉电源适配器，并将产品送检修。
- 装入电池时，不可将电池正负极颠倒，长时间不使用本机时，请将电池从发射器中取出。
- 严禁使用外壳绝缘材料破损的电池，否则可能引起短路。
- 长时间离开正在工作的本机，请关掉本机，将电源适配器拔下，决不可任由机器开着。

产品特性

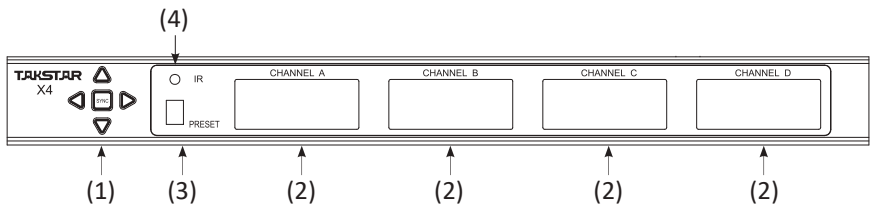
- 采用UHF宽频段设计，预编程800个可选信道，可多套同时使用
- 采用D-PLL射频频率锁定技术，频率稳定、工作可靠
- 采用二次变频接收技术，抗干扰能力强
- 预设9组相互无串扰信道，方便设置多机同时使用时的频率
- 采用专业音频压缩-扩展技术，噪音小，尾音小，动态范围大
- 采用微电脑控制，可配置4路无线话筒同时工作
- 配置4路独立音频输出，1路混合输出，同时单路音量可调，满足不同场合需求
- 液晶显示屏，人机对话一目了然

调校注意

- 正确的调整发射器音频灵敏度非常重要，太高的灵敏度将会引起过调制而产生信号失真，太低的灵敏度使调制不够，将会降低信噪比。手持发射器（麦克风）出厂时已根据所配的音头将灵敏度调整到适当电平，无需用户调整。
- 若频率设置适当，在同一空间，同一频段同时使用多达12只发射器也不会产生互相干扰；若频率设置不当，将会引起互调干扰。
- 若多套机器在同一空间使用，请尽量避免让各个接收机重叠在一起使用。

接收机功能和操作方法

前面板：



(1) 功能按键：左、右按键用于选择需设置的通道；上下按键用于调整相应通道的数据；中间“SYNC”方键为确认/对频按键，可确认设置或发送频率信息给发射机。

(2) 液晶显示：

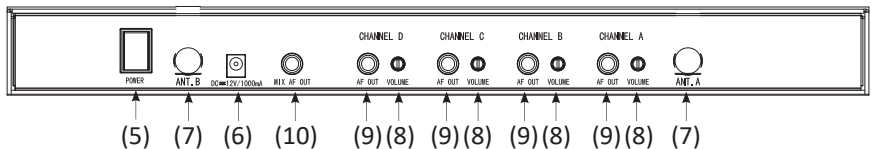
显示对频工作状态、频率/频道、静噪、接收信号电平、音频动态电平等信息。

(3) 预编组号显示屏：“0”为用户自定义编组，频率可自行设置；“1~9”为预编组，每组的4个频率可同时使用且互不干扰。

(4) 红外对频窗口：

配合面板“SYNC”键，将频道参数传至发射机。

背面板：



(5) 电源开关：控制机内电源供应

(6) 电源插座：连接DC=12V电源至输入插座；插座的中心电极连接正电压

(7) 天线连接座：连接外置天线，增加使用距离。（此端口向外输出9V/60mA电流，供天线放大器使用）

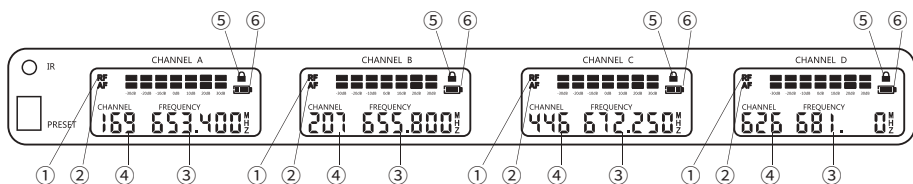
(8) 音量调节：调整对应通道的非平衡输出音量大小

(9) 音频非平衡输出：采用6.3非平衡插座，提供各通道独立信号输出

(10) 混合音频输出：将四路的音频信号混合成一路输出

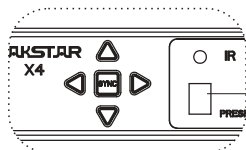
液晶显示面板操作

LCD 全亮显示



- ① 7 级射频电平显示：显示接收信号强度
- ② 7 级音频电平显示：显示声音信号动态
- ③ 频率菜单显示：显示当前工作频率
- ④ 信道菜单显示：显示当前工作信道
- ⑤ 锁定指示：显示功能按键锁定状态
- ⑥ 电量显示：显示对应发射机的电池电量

按键功能及操作



预编组显示屏

A. 信道/频率显示及调整:

1. 预编组模式

在初始界面下，短按前面板“SYNC”键，待调整通道的显示屏闪烁，此时点击“◀”或“▶”键来调整到预编组显示屏闪烁。按“△”键或“▽”键从“1~9”个预编组中选择想要的编组（同一编组中的4只麦克风可同时使用互不干扰）。预编组号选定后按“SYNC”键确认，然后重新与各麦克风对频后即可正常使用。

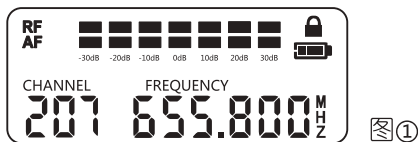
2. 手动频道调整模式

在初始界面下，短按前面板“SYNC”键，待调整通道的显示屏闪烁，显示当前处于手动调整模式，此时点击“◀”或“▶”键可更改要调整的通道；点按或长按“△”键或“▽”键，可调整到需要使用的频道。此时松开按键，屏幕窗口闪烁10秒停止时，频道调整成功或按“SYNC”键进行对频操作。

B. 红外对频操作

在初始界面下选定使用频道后，打开发射设备电源，将发射设备上的红外接收窗口“IR”与接收设备上的红外发射窗口“IR”成直线相对(对频距离可选择在10CM- 30CM之间)，

此时点按面板“SYNC”键，屏幕窗口显示图②对频界面后显示对频搜索信息，对频成功后将自动跳转至频率信道显示界面。如对频失败则10秒后自动退出对频。



图①

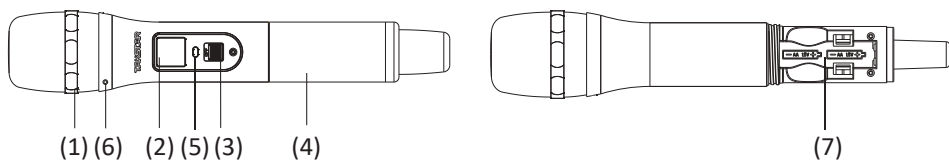


图②

C. 系统锁定操作

1. 在初始界面下长按面板“SYNC”键锁定功能键，锁定成功后如图①。所有功能键将被锁定。再长按面板“SYNC”键可解锁。

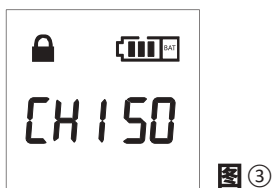
手持麦克风功能和使用



- (1) 网头及音头模组：网头用以保护将声音转换成音频信号的音头模组，消除“POP”风杂音，并能防止麦克风放置在台面时滚动。
- (2) 液晶显示器：显示信道和电池电量。
- (3) 电源开关：用于开启/关闭发射机的电源。
- (4) 麦克风管体：管端装配网头、音头模组、管体内装电池，发射电路板，尾部内置发射天线。
- (5) 红外对频窗口：配合接收机“SYNC”键，将频道参数传至发射器。
- (6) 网头紧固螺丝：保护音头模组，防止非专业人员随意拆下网头及音头模组
- (7) 电池仓：用于装入AA电池2节

手持麦克风液晶显示

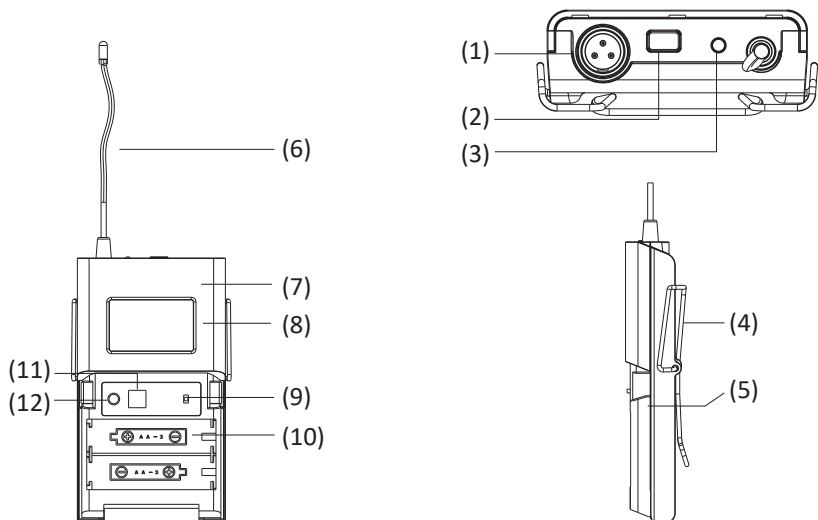
1. 打开发射器电源后，LCD屏点亮，如图③，LCD屏同时显示当前工作频道、电池电量。若需更改工作频道，应首先改变接收机频道，然后将发射机和接收机上红外对频窗口对准，并按接收机面板上的“SYNC”键可将新的频道参数传至发射机。(为避免失误操作，仅可在开机后的100秒内对频，超过100秒后需要重启发射机，锁定对频功能后会显示“🔒”)



图③

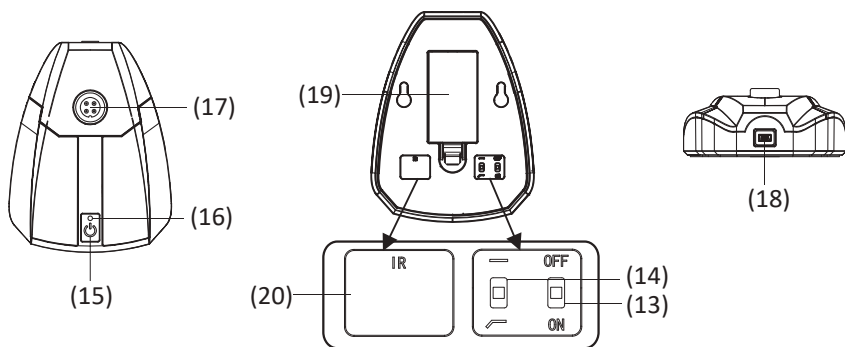
腰挂式麦克风功能和使用

- (1) 音频输入连接座
- (2) 电源/静音开关：长按开关“电源”打开，显示屏显示。在开机状态时，短按此键可实现静音功能。
- (3) 状态指示灯：当发射机处于开机状态时亮绿灯，表示电池电量正常；当发射机处于“AF MUTE”音频静音状态时绿灯闪烁；如果指示灯一直亮红灯，表示电池快没电，需要更换电池。



- (4) 腰挂：便于将迷你麦克风固定于腰带。
- (5) 电池盖：按住电池仓两边的按钮往外拉可打开电池仓，按电池极性标识装入AA电池两节。
- (6) 发射天线：为1/4波长鞭状发射天线
- (7) 本体：装配主机板及其配件(8) 液晶面板：显示当前工作频道、电池电量及静音状态
- (9) 输入音频信号衰减开关：当输入的音频信号过强时可将此开关拨到衰减位置以减少调制失真
- (10) 电池仓：装入2节AA电池
- (11) 音频增益调整：可以在小范围内调整音量
- (12) 红外对频窗口：配合接收机SYNC键，将频道参数传至发射器

鹅颈式麦克风功能和和使用



- (13) 电源开关：控制整机的电源，不使用时应关闭电源
- (14) 低频衰减开关：衰减100Hz以下的音频，可降低啸叫低频反馈啸叫和降低环境噪声
- (15) 静音开关：用于暂时中断发言
- (16) 电源指示灯：开机亮红灯，低电时红灯闪烁，绿灯亮时为正常发言状态
- (17) 鹅颈话筒插座：用来连接鹅颈话筒
- (18) 外接电源/充电MINI USB 接口：外接电源5V时，自动断开内部电池供电，长时间连续使用时，可以使用外接电源，同时，外接电源可以向电池仓内的充电电池进行充电
- (19) 电池仓：可装2节AA电池
- (20) IR对频窗口：在需要对频操作时，将此窗口对准接收机的IR位置进行，距离约5~15cm，IR对频要在开机后的100秒内完成，超时要重启动发射机才能继续对频

操作方法/正确使用方法

1. 开机前，发射器暂勿打开，先将接收机音量调小，然后打开接收机电源开关，电源导通后，液晶显示器背光灯亮，随后主显示栏显示接收机频道、频率、工作状态。
2. 在未开发射器的情况下，应观察辅助显示栏的RF和AF电平表，若有强的干扰，应调整频道避开干扰点。
3. 打开发射器电源后，对应频道的RF电平表点亮，将接收机音量调整到适当的大小，然后对麦克风发音，接收机AF电平表对应麦克风音量大小点亮。如果没有声音输出和电平表不亮，表示此系统工作不正常，必须检修。

一、如何正确使用手持无线麦克风

- (1) 手应握于麦克风中部，若太靠近网头，将会影响麦克风的拾音效果，太靠近底部天线位置，则会降低发射效率，减小使用距离。
- (2) 调节麦克风和嘴之间的距离，可以增减高低音。

二、如何正确使用接收机

- (1) 接收机分为分集接收机和非分集接收两大类，非分集比较经济，分集则可以有更远更好的传输效果，应根据需要合理选用。
- (2) 接收机采用全向天线时，天线离墙体（特别是金属体）应有0.5m距离。
- (3) 接收范围和很多因素相关，变化很大，在传输方向无大型金属件阻挡，可以获得更好的传输效果。
- (4) 如果接收条件不够理想，可以采用延长线，外接高增益天线，甚至天线放大器，可以达到非常明显的增距效果。
- (5) 当接收机面板正对使用方向时，或接收机内置在金属箱体内时，将天线接于前面板会有更好的接收效果。

三、在同一地点如何正确使用多套无线麦克风

- (1) 首先应选用无互调的频率配置，在40MHz带宽内，通常可以同时使用12只发射器，若需要使用更多套无线麦克风，需要配置其它频段机型。
- (2) 多套发射器共同使用时，各发射器至少相隔50cm，且和接收机要保持3米以上的距离，以免互相干扰。
- (3) 多套接收机在一起使用时，建议安装高增益天线，天线放大器和接收分路器。

故障现象/故障原因

故障现象	故障原因
发射器、接收机无指示	发射器电池耗尽，接收机电源未接好
接收机无射频信号	收发不同频或超出接收范围。
有射频信号，但无音频信号	发射器麦克风未接入或发射机处于静音状态
音频信号背景噪声太大	接收输出电平低，有干扰信号或接收机未装天线，信噪比下降
音频信号失真	发射器调制频偏过大或接收机输出电平过高
使用距离较短，信号不稳定	接收机天线设置不当，周围有强电磁干扰

如果出现故障不包含在上表，切勿自行拆开修理，请联系厂家或当地经销商！

使用、保存!

不要把本机放在高度潮湿，强电磁场，强阳光直射，高温等环境下使用或存放，若长时间停用应把接收机电源拔下，发射器电池取出。

清洁：清洁前必须把电源插头拔下，并使用湿布清洁。不得使用任何清洁剂或溶解性液体，否则将损伤表面加工层。

电源：确保电源在使用要求的范围，过高或过低都会影响工作。发射器装入电池时，切勿将电池装反，否则可能损坏机器。

维修：若本机有故障或性能下降，请不要自行拆卸外壳进行维修，以免触电或严重损坏机器，并失去保修权。请联系当地经销商或本公司售后服务部，我们将竭诚为您做好。

附件：请使用制造商提供的附件或认可的附件产品，以便发挥理想的性能。

保修：本机未含可改装部分，请勿自行拆开改装，否则将失去保修权力。

技术参数

系统指标:

频率范围: 645~690 MHz(分段设计)	调制方式: 宽带FM
可调范围: 40MHz	信道数量: 800
信道间隔: 50KHz	频率稳定度: $\pm 0.005\%$ 以内
动态范围: 100dB	调制频偏: $\pm 48\text{KHz}$
音频响应: 80Hz~12KHz	综合信噪比: $>85\text{dB (A+)}$
综合失真: $\leq 1.0\%$	工作温度: $-10^{\circ}\text{C}\sim+40^{\circ}\text{C}$

接收机指标:

接收机方式: 二次变频超外差	
中频频率: 一中频: 184.2MHz	二中频: 10.7MHz
无线接口: TNC/50 Ω	灵敏度: 12 dB μV (80dBBS/N)
杂散抑制: -60dB	峰值输出电平: +3 dBV

发射机指标:

输出功率: 小于10mW	杂散抑制: -60dB
供电: 两节AA 电池	使用时间: 大于8个小时

包装清单

X4接收机	一台
音频传输线	一条
电源适配器	一个
天线	两支
角码	一套
使用手册	一份

主机需搭配以下发射机中的一种或多种才能组成无线系统:

1. X4-TD 手持无线发射机
2. X4-TL 腰挂无线发射机 (配领夹或头戴麦克风)
3. X4-TH 鹅颈式无线发射机 (配鹅颈式会议软管)

安全警示

为避免电击、过高温度、着火、辐射、爆炸、机械危险以及使用不当等可能造成的人身伤害或财产损失，使用本产品前，请仔细阅读并遵守以下事项：

1. 使用产品时请确认所连接设备与本产品功率是否匹配以及合理调整音量大小，不要在超过产品功率及大音量下长时间使用，以免造成产品异常和耳朵听力损伤；
2. 使用中若发现有异常（如冒烟、异味等），请立即关闭电源开关并拔掉电源插头，然后将产品送经销商检修；
3. 若产品需要使用可拆装电池时，严禁使用外壳绝缘材料破损的电池；请不要为非充电电池充电；
4. 废弃电池需放入指定的分类垃圾桶，不可作为儿童玩具或直接丢弃，以免造成安全隐患或影响环境；
5. 本产品及配件都应放置在室内干燥通风处，勿长期存放在潮湿、灰尘多的环境，使用中避免靠近裸露火源、碰到液体物质、雨淋、产品进水、过度碰撞、抛掷、振动本机及覆盖通风孔，以免损坏其功能；
6. 若产品需要固定于墙壁或天花板上时，请确保固定到位，防止因固定强度不足导致产品发生跌落危险；
7. 使用该产品时需遵守相关安全规定，法律法规明确禁止使用场合请勿使用本机，以免导致意外事故；
8. 请不要自行拆机改装或维修，以防止出现人身伤害，如有问题或服务需求请联系当地经销商跟进处理。

环保说明

产品中有毒有害物质或元素的名称及含量标识表

部件名称	有毒有害物质或元素					
	铅 (Pb)	汞 (Hg)	镉 (Cd)	六价铬 (Cr(VI))	多溴联苯 (PBB)	多溴二苯醚 (PBDE)
塑料部件	○	○	○	○	○	○
金属部件	×	○	○	○	○	○
电路板组件	×	○	○	○	○	○
线缆	×	○	○	○	○	○

本表格依据SJ/T 11364的规定编制。
○: 表示该有害物质在该部件所有均质材料中的含量均在 GB/T 26572规定的限量要求以下。
×: 表示该有害物质至少在该部件的某一均质材料中的含量超出 GB/T 26572规定的限量要求。

此标志为产品的环保使用期限标志，
且此环保使用期限只适用于产品正常工作的温度和湿度等条件。



注意事项:

1. 本单为保修凭证，请用户妥善保管，如有遗失，恕不保修或退换。
2. 保修期限制：购买之日起十二个月内。
3. 除了不可抗力事件损坏外，由本公司负责，免费维修。
4. 如属保管不善或使用不当造成的损坏，维修点将酌情收费。
5. 擅自拆卸维修者，不予保修。
6. 以上保修条款仅限于中国市场适用（不包含港澳台地区）。

产品服务保证书

姓名：_____ 电话：_____ 地址：_____

商品：_____ 型号：_____ 购买日期：_____ 年 _____ 月 _____ 日

维修记录栏(由维修员填写)	维修员签名	日期

◆ 广东得胜电子有限公司 ◆ 电话：400-6828-333 ◆ 地址：广东省惠州市博罗县龙溪街道富康一路2号

Preface

Dear Customer,

Thank you for purchasing Takstar X4 4 channel wireless receiver conference microphone. Please read the user manual carefully before operation and keep it for reference in future. If you have any question or suggestion, please contact our local dealer.

Safety Instructions

- Use the supplied adaptor only and confirm the power supply voltage is consistent with the adapter's requirement, the system may be damaged if other power adaptor is used
- Power supply of this system is 220V~AC, use of other voltage will cause fire or malfunction
- Do not expose the product to high temperature, humidity, dust or liquids
- Do not crash, throw, vibrate the unit so as to avoid damage to the product
- Do not dismantle the system, if there are any troubles such as fume or strange smell during using, please unplug the power adaptor and get in contact with your local dealer for further checking immediately
- Please install the batteries according to correct polarities. Take out the batteries when not using it for a long time
- Please do not use batteries with broken or scratched surface, or short circuit may occur
- Please turn off the product and unplug the power adaptor if the system is not used for a long time

Features

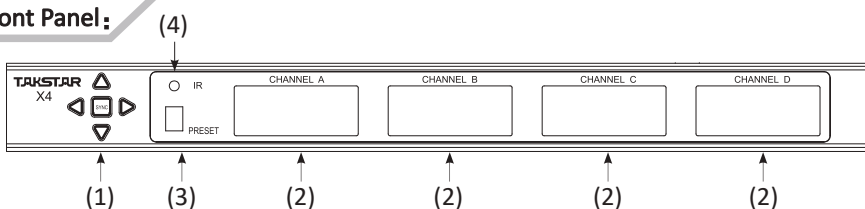
- UHF wide frequency band design provides 800 selectable frequencies
- D-PLL RF frequency lock technique for stable frequency and reliable performance
- Double conversion receiving technology features strong signal receiving ability
- 10 groups of interference-free reception frequencies pre-setting for convenient setup for multiple systems at one venue
- Adopts professional audio companding technique for low noise and wide dynamic range
- Microcomputer control enables 4 wireless microphones to work simultaneously
- 4 independent audio outputs and 1 mixed output for convenient connection with various audio equipments, adjustable single output volume control meets the demand of different applications
- Intuitive LCD on both receiver and transmitters

Set up Caution

- Correctly adjust audio sensitivity of the transmitter is very important. Higher sensitivity will cause signal distortion, lower sensitivity will cause low S/N ratio. The sensitivity of transmitter is set to a reasonable level when it is manufactured, no need user to adjust.
- If the frequencies are set reasonably, 12 transmitters within one frequency range can be used in one place simultaneously without mutual interference. Otherwise, it will cause mutual interference.
- When multiple receivers using in one place, avoid putting one receiver on top of another.

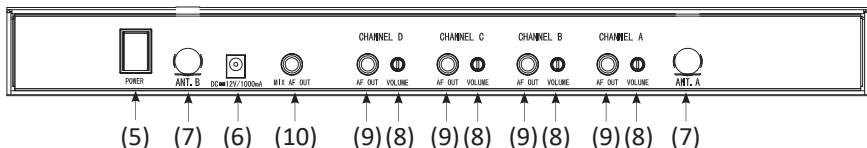
Receiver Function and Operating Instruction

Front Panel:



1. Function Button: the left and right button are used to select the set channel, the up and down button are used to adjust the correspond channel data; the central “SYNC” is confirm/frequency matching button, it can confirm the setting or transmit the frequency data to transmitter
2. LCD Screen: display the frequency data synchronization status, frequency/ channel, squelch, receiving signal and audio dynamic level
3. Preset Frequency Display Screen: “0” is user defined frequency, which can be set freely; “1-9” is preset frequency, which ensures 4 different frequency use at one venue simultaneously without mutual interference
4. Infrared Data Synchronization Window: works in conjunction with the “SYNC” button on the panel to transmit the frequency data to the transmitter

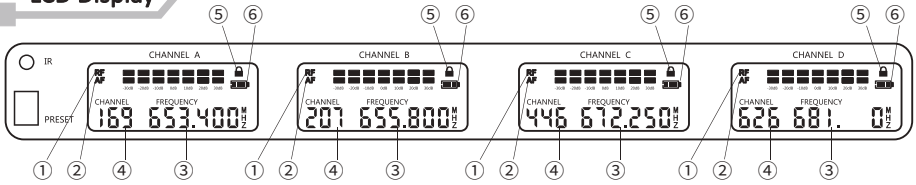
Rear Panel:



5. Power Button: to turn on/off the system
6. Power Socket: connect 12V DC power to the input socket, central electrode of the socket connects to positive voltage
7. Antenna Input Port: connect to external antenna to increase operating distance (this port output 9V/ 60mA current for antenna amplifier)
8. Volume Adjustment: adjust the correspond channel unbalanced output volume
9. Unbalanced Audio Output: with 6.3 unbalanced outlet, supports each channel independent signal output
10. Mixed Audio Output: to mix four channels signal for single output

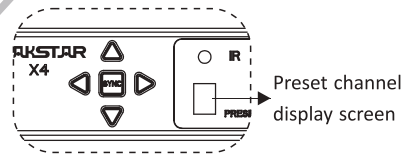
Operating Instruction of LCD Panel

LCD Display



- ① **RF Level Indication:** indicates the receiving RF signal strength
- ② **AF Level Indication:** indicates the AF signal status
- ③ **Frequency Menu:** indicates the current working frequency
- ④ **Channel Menu:** indicates the current working channel
- ⑤ **Lock Indication:** indicates the function button lock status
- ⑥ **Battery Level Indication:** indicates the correspond transmitter battery level

Button Function and Operating Instruction



A. Channel/ Frequency Display and Adjustment

1. Presetting Mode

Under the initial interface, short press the “SYNC” button on the front panel, when the screen of the channel need to be adjusted is glittering, short press the “◀” or “▶” button till the presetting frequency screen is glittering. Press “▲” or “▼” button to select the preference channel from the “1-9” presetting channel (four microphones within one presetting channel can be used simultaneously without mutual interference) and press “SYNC” button for confirm, then match frequency with different microphone before operation.

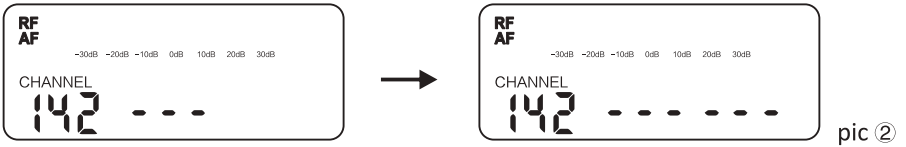
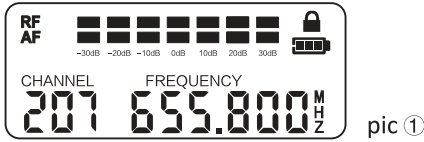
2. Manual Setting Mode

Under the initial interface, short press the “SYNC” button on the front panel, when the screen of the channel need to be adjusted is glittering, it means it is under the manual setting mode, short press the “◀” or “▶” button to adjust the channel; short press or long press the “▲” or “▼” button for preference channel. When release the button, the screen window glitter 10 seconds and stop, the frequency setting is succeeded, press “SYNC” button for frequency matching

B. Infrared Data Synchronization Operation

Under the initial interface, select the preference channel, turn on the transmitter and point the “IR” infrared frequency reception window to the “IR” infrared frequency transmitting window on the receiver (distance between transmitter and receiver is 10-30cm) press the “SYNC” button on the panel,

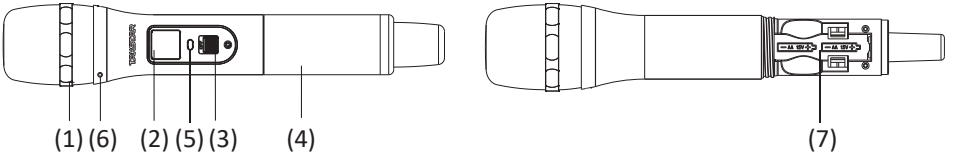
the screen window displays frequency matching interface (pic ②) and then displays frequency searching information, after the frequency matching succeeded, the indicator will automatically switch to the actual frequency display interface, if the frequency matching fails, it will exit the frequency matching automatically



C. System Lock Operation

Under the initial interface, long press the “SYNC” button on the panel for function button lock, when the function button lock succeeded, it displays as pic ①, all the function buttons are locked. Long press the “SYNC” button again for unlocked

Function and Operation of the Handheld Microphone




- (1) Wire-mesh Cap and Capsule: to protect the capsule and eliminate the “POP” sound, prevent rolling when it placed on the table
- (2) LED Display: displays channel and battery level
- (3) Power Switch: turn on/off the transmitter
- (4) Microphone housing: assemble the wire-mesh cap and capsule on the top, with batteries, PCBA inside and antenna at the rear
- (5) Infrared Data Synchronization Window: transmit the frequency signal to the transmitter by pressing the “SYNC” button on the receiver
- (6) Wire-mesh Fixing Screw: protect the capsule, prevent the non-professionals dismantle the wire-mesh and capsule randomly
- (7) Battery Compartment: put in 2pcs AA batter



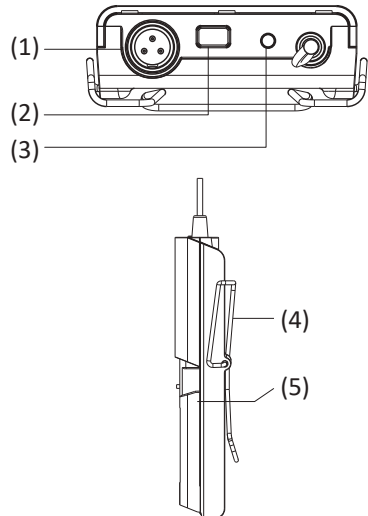
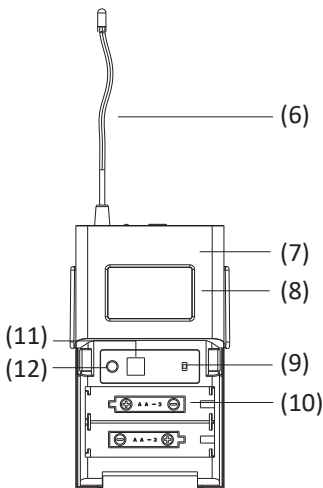
pic ③

LCD Display of Handheld Microphone

When the transmitter is turned on, LCD screen is lit (pic ③) and displays the current working channel, battery level. If the working channel need to be changed, change the receiver channel first, then point the infrared data synchronization window of the transmitter to that of the receiver, press the “SYNC” button on the receiver to transmit the new frequency data to the transmitter.(to prevent mis-operation, data synchronization can be operated within 100 seconds after transmitter turned on, otherwise, the transmitter should be restart, it will display “” icon when the data synchronization function is locked.

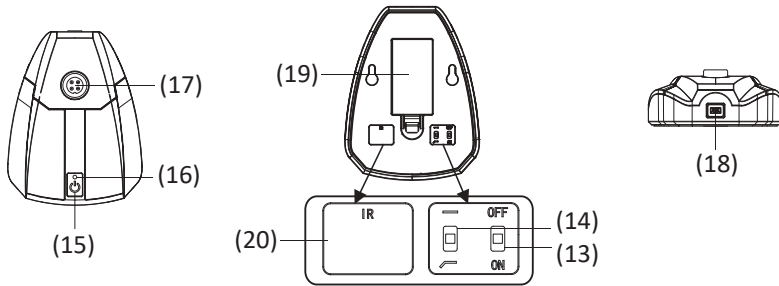
Function and Operation of the Bodypack Microphone

- (1) Audio Input Socket.
- (2) Power/Mute Button: long press the power button to turn on the microphone and LCD screen is lit. When the microphone turns on, short press the button for mute.
- (3) Status Indicator: when the transmitter turns on, the indicator lights green, it means the battery level is normal; when the transmitter is under the “AF MUTE” status, the green light is glitters; if the indicator keeps on red, it means the battery level is low and need to be replaced timely.



- (4) Belt Clip: facilitate the mini microphone to be fixed on the belt
- (5) Battery Cover: press the button on both sides of the compartment and pull outwards to open it, put in 2pcs AA battery according to the marked polarity
- (6) Transmitting Antenna: 1/4 wave length whip transmitting antenna
- (7) Microphone Housing: to fix PCBA and its component
- (8) LCD Panel: display the current working channel, battery level and mute status
- (9) Input Audio Signal Attenuation Switch: when the input audio signal is too strong, pull this switch to attenuate position to reduce modulation distortion
- (10) Battery Compartment: put in 2pcs AA battery
- (11) Audio Gain Adjustment: to adjust volume under the small scale
- (12) Infrared Data Synchronization Window: works in conjunction with the “SYNC” button on the panel to transmit the frequency data to the transmitter

Function and Operating Instruction of Gooseneck Microphone



- (13) Power Switch: to turn on/off the unit. Turn off it when the unit is unused
- (14) Low Frequency Attenuation Switch: attenuate the audio signal under 100Hz, reduce howling and ambient noise
- (15) Mute Switch: to pause the speech temporarily
- (16) Power LED: lights up red when the microphone is turned on, flashes when the power voltage is low, lights up green under normal talking status
- (17) Gooseneck Microphone Connector: to connect gooseneck microphone
- (18) External Power / Recharging MINI USB Interface: when connecting with external power supply, it will disconnect the internal battery power supply automatically. The external power supply can be used during long time operation and for recharging the rechargeable batteries
- (19) Battery Compartment: put in 2 pcs AA batteries
- (20) IR Frequency Matching Window: when matching the frequency, keep this window towards the receiver IR position and keep 5~15cm away from the receiver, the operation must be finished within 100 seconds, if time exceeds, you have to turn on the transmitter once again to continue the frequency matching

Operating Instruction

1. Before the receiver turns on, turn the volume to the minimum level and keep the transmitter power off, press the power button to turn on the receiver, when the receiver is powered on, the backlight of the LCD screen is lit, then the main screen displays the channel, frequency and working status
2. If the transmitter is not turned on, please check the RF and AF level on the auxiliary panel, if there is strong interference, please change the frequency channel to avoid interference signal
3. When the transmitter is turned on, the RF level meter of the correspond channel is lit, adjust the volume of the receiver to an appropriate level, sound to the microphone, the AF level meter of the receiver correspond to the microphone volume is lit, if there is no sound output or level meter do not lit, it means the system is failure and need to repair

1. How to operate the wireless handheld microphone

- (1) Hold the middle part of the microphone. If it is too close to the wire mesh, the sound will be influenced. If the hand is too close to the antenna at bottom, the operating distance will be shortened
- (2) By changing the distance between the microphone head-case and mouth to increase/decrease the treble/bass

2.How to use receiver

- (1) Receiver can be divided into two types, diversity and non-diversity receiver. Non-diversity receivers are usually the more budget friendly solution while diversity receivers provide a better RF transmission. Please choose it according your actual application
- (2) If omni-directional antenna is used, the antenna should be at least 0.5m away from walls or metal pieces
- (3) Receiving range is varied for many factors. It will get a better transmission effect if there is no large metal pieces blocking in the transmitting direction
- (4) If the receiving performance is not good enough, please use extension cable to connect with the external high gain antenna or antenna amplifier to achieve excellent receiving range
- (5) When the receiver panel is pointed to using direction or the receiver is put inside the metal box, please locate the antenna on the front panel for better performance

3.How to use multiple systems at one venue

- (1) First, choose an interference free RF frequency, usually 12 transmitters can be used simultaneously within 40MHz bandwidth. If more transmitters is needed, please add frequency band
- (2) When multiple transmitters using together, keep at least 50cm separation between each transmitter to avoid mutual interference
- (3) When using several receivers together, please install high gain antenna, antenna amplifier and receiver multi-coupler

Trouble / Troubleshooting

Troubles	Troubleshooting
No indication on transmitter and receiver	Transmitter running out of battery or bad connection between receiver and power supply
No RF signal on receiver	Different frequency between receiver and transmitter, or out of operating range
With RF signal, but no AF signal	Transmitter is not connect well or the transmitter set as mute mode
Background noise of AF signal is too big	Output level of receiver is too low, check if there is an interference signal or receiver without antenna, S/N decreased
Audio signal distortion	Transmitter frequency deviation is too large, or output level of receiver is too high
Operating distance is too short, signal is not stable	Receiver antenna do not located properly, there is strong electromagnetism interference around

If there are other troubles, please contact us or your local distributor / dealer. Please do not dismantle the product as it will void warranty

Usage and Maintenance

Do not use and keep the product in a high humidity, strong electromagnetic field, strong sunlight and high temperature environment. Please unplug the power adaptor and remove the battery if long time no use.

Cleaning: Unplug the adaptor before cleaning, do not use any detergent or soluble liquid but use a damp cloth to clean, otherwise it will damage the surface processing layer.

Power Supply: Make sure the power supply is within the specified range, too high or too low will affect the performance. Please install the batteries in the transmitter according to correct polarity, otherwise it will damage the product.

Maintenance: If the product is faulty or the performance is degraded, please do not disassemble the product for repair to avoid electric shock or severe damage to the product. Please contact your local dealer for after service.

Accessory: Please use the manufacturer-supplied or approved accessories for optimum performance.

Specification

System Specification:

Frequency Range: 645~690 MHz(Frequency band)	Modulation Mode: FM
Adjustable Range: 40MHz	Number of Frequencies: 800
Frequency Spacing: 50KHz	Frequency Steadiness: $\leq \pm 0.005\%$
Dynamic Range: 100dB	Max. Frequency Deviation: $\pm 48\text{KHz}$
Frequency Response: 80Hz-12KHz	S/N Ratio: $>85\text{dB}$ (A weighted)
Total Harmonic Distortion: $\leq 1.0\%$	Operating Temperature: -10°C - $+40^{\circ}\text{C}$

Receiver Specification :

Receiving Mode: Double conversion superheterodyne	
Intermediate Frequency: First: 184.2MHz ;	Second: 10.7MHz
Antenna Interface: TNC/50 Ω	Sensitivity: 12dBu V(80dB S/N)
Spurious Suppression: -60dB	Peak Output Level: +3dBv

Transmitter Specification :

Output Power: $< 10\text{mW}$	Spurious Suppression: -60dB
Power Supply: 2pcs AA battery	Play Time: More than 8 hours

Product Content

X4 Receiver	1pc
Audio Connecting Cable	1pc
Power Adaptor	1pc
Antenna	2pcs
Rack Mount	1pc
User Manual	1pc

The host unit should be paired with one or more of the following transmitters to compose one wireless system

- 1.X4-TD handheld wireless transmitter
- 2.X4-TL bodypack wireless transmitter(provided with lavalier and headset)
- 3.X4-TH gooseneck wireless transmitter (provided with gooseneck)

Cautions

To avoid electric shock, over temperature, catching fire, explosion, mechanical risk and hurt or property loss caused by improper use, please read the following items carefully before operation:

1. Before operation, make sure that this system power matches with that of the connected equipment. Adjust the volume to proper level during operation. Do not operate at high volume level to avoid hearing loss.
2. If abnormal phenomenon (smoke, abnormal smell) happens, please turn off the power switch and disconnect the power plug with power socket, and send the product to local dealer for maintenance.
3. Using battery of broken insulation material is forbidden to avoid short circuit. Please do not charge the non-rechargeable battery.
4. Put the waste battery into classification dustbin rather than used as toy by children or discarded directly to avoid potential danger or affecting the environment.
5. The product and accessories should be put in dry and ventilated place rather than humid or dusty environment. Prevent the product from fire, liquid, rain, water, over-colliding, throwing, vibrating, vent hole covered to avoid function destroyed.
6. When the product needs to be installed on wall or ceiling, please fix it tightly to avoid dropping risk.
7. Please abide by safety rules during operation. Do not use the product in the place prohibited by regulation or law to avoid accident.
8. Do not disassemble or repair the product by yourself to avoid hurt. If you have question or need service, please contact the local dealer.



扫一扫，了解更多产品
Scan for more
product information

广东省电声工程技术研究开发中心 广东得胜电子有限公司制造

地址：广东省惠州市博罗县龙溪街道富康一路2号
服务热线：400 6828 333 传真：0752-6383950
邮箱：xs@takstar.com
网址：www.takstar.com

Guangdong Takstar Electronic Co., Ltd.
Address: No. 2 Fu Kang Yi Rd., Longxi Boluo
Huizhou, Guangdong 516121 China
Tel: 86 752 6383644 Fax: 86 752 6383952
Email: sales@takstar.com
Website: www.takstar.com

GB/T 17276-1998
9T000X4S1C